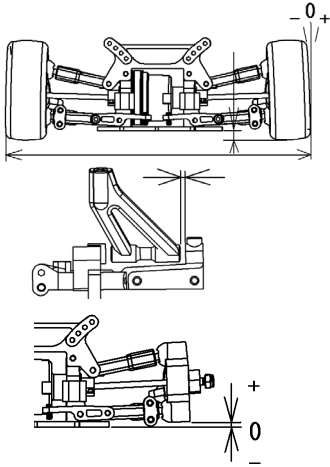


**Name :** Kenji Osaka  
**Date :** 2000/12/24  
**Track :** Techno GP

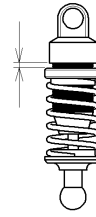
**Track** Size: Open  Med.  Tight  
**Conditions** Traction: High  Med.  Low  
 Surface: Smooth  Bumpy

### Front Suspension



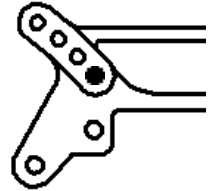
Track width 198 mm  
 Ride height 4 mm  
 Camber angle -1.5 °  
 Caster angle 4 mm  
 Toe angle 1 out °  
 Rebound stop 2 mm  
 Bump stop  
 None Use \_\_\_\_\_ mm

### Front shocks



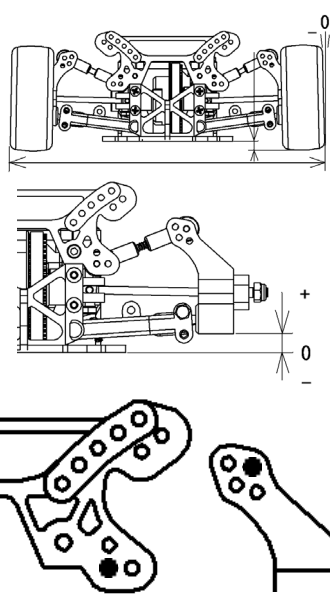
Piston 1.1X1  
 Oil # 600  
 Spring Light Blue  
 Tension \_\_\_\_\_ mm

Shock position



**Front diff. Oil** # 10000

### Rear suspension



Track width 199 mm  
 Ride height 5 mm  
 Camber angle -3 °  
 Toe angle 2.5 IN °  
 Rebound stop 8 mm  
 Bump stop  
 None Use \_\_\_\_\_ mm

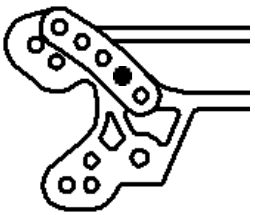
Upper arm position  
 Anti-roll bar  
 None Use 2 mm

### Rear shocks



Piston 1.1X2  
 Oil # 600  
 Spring Light Blue  
 Tension \_\_\_\_\_ mm

Shock position



**Rear diff. Oil** # 10000

### Clutch

3 P Clutch shoes Black  
White  
 Spring Silver(1.1)  
 Other Clutch shoes \_\_\_\_\_  
 Spring \_\_\_\_\_  
 Clutch bell clearance \_\_\_\_\_ mm  
 Clutch spring adj. Nut \_\_\_\_\_ mm

**Gear ratio** 1st 16/49  
 2nd 20/44

**Brake pad** Black Yellow

### Engine

Type MT12 Fuel Cosmo 20%  
 Gasket 0.3 mm Muffler Garyo  
 Plug C5Tf

### Tires & Wheels

**Front** Tire FVX-D (37) **Rear** Tire FVX-C (35)  
 Insert \_\_\_\_\_ Insert \_\_\_\_\_  
 Wheel \_\_\_\_\_ Wheel \_\_\_\_\_

### Body & Wing

Body Vectra (Protoform) Wing \_\_\_\_\_

### Result

Race time / Lap \_\_\_\_\_  
 Best lap (1Lap) 18'3

**Comment** Track Info.: <http://www.din.or.jp/~u-techno/>  
 \_\_\_\_\_  
 \_\_\_\_\_  
 \_\_\_\_\_