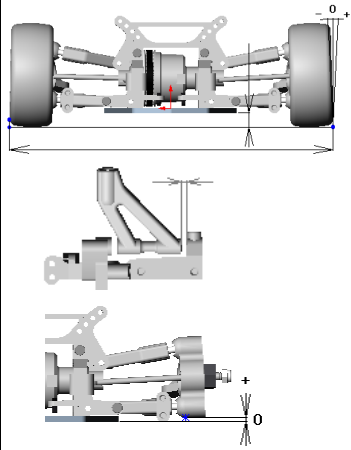


Name : \_\_\_\_\_  
 Date : \_\_\_\_\_  
 Track : \_\_\_\_\_

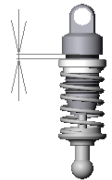
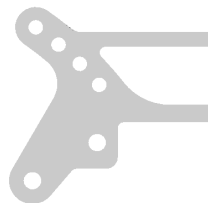
<b>Track</b>	Size :	Open	Med.	Tight
<b>Conditions</b>	Traction :	High	Med.	Low
	Surface :	Smooth	Bumpy	

### Front suspension



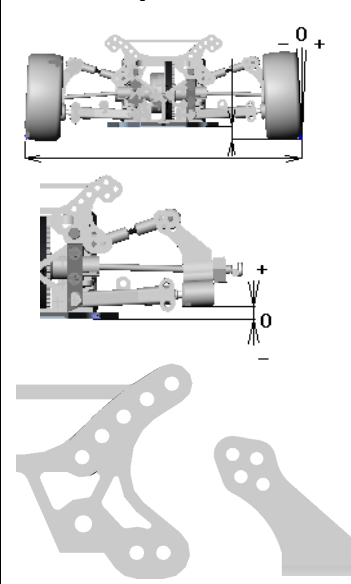
Track width \_\_\_\_\_ mm  
 Ride height \_\_\_\_\_ mm  
 Camber angle \_\_\_\_\_ °  
 Caster angle \_\_\_\_\_ mm  
 Toe angle \_\_\_\_\_ °  
 Rebound stop \_\_\_\_\_ mm  
 Bump stop  
 None Use \_\_\_\_\_ mm

### Front shocks

 Piston \_\_\_\_\_  
 Oil # \_\_\_\_\_  
 Spring \_\_\_\_\_  
 Tension \_\_\_\_\_ mm  
  
 Shock position

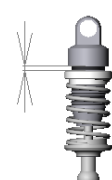

**Front diff. Oil** # \_\_\_\_\_

### Rear suspension



Track width \_\_\_\_\_ mm  
 Ride height \_\_\_\_\_ mm  
 Camber angle \_\_\_\_\_ °  
 Toe angle \_\_\_\_\_ °  
 Rebound stop \_\_\_\_\_ mm  
 Bump stop  
 None Use \_\_\_\_\_ mm  
 Upper arm position  
 Anti-roll bar  
 None Use \_\_\_\_\_ mm

### Rear shocks

 Piston \_\_\_\_\_  
 Oil # \_\_\_\_\_  
 Spring \_\_\_\_\_  
 Tension \_\_\_\_\_ mm  
  
 Shock position

**Rear diff. Oil** # \_\_\_\_\_

### Clutch

3 P Clutch shoes Black  
 White  
 Spring \_\_\_\_\_  
 Other Clutch shoes \_\_\_\_\_  
 Spring \_\_\_\_\_  
 Clutch bell clearance \_\_\_\_\_ mm  
 Clutch spring adj. nut \_\_\_\_\_ mm

**Gear ratio** 1st \_\_\_\_\_ / \_\_\_\_\_  
 2nd \_\_\_\_\_ / \_\_\_\_\_

**Brake pad** Black Yellow

### Engine

Type \_\_\_\_\_ Fuel \_\_\_\_\_  
 Gasket \_\_\_\_\_ mm Muffler \_\_\_\_\_  
 Plug \_\_\_\_\_

### Tires & Wheels

<b>Front</b>	Tire _____	<b>Rear</b>	Tire _____
	Insert _____		Insert _____
	Wheel _____		Wheel _____

### Body & Wing

Body \_\_\_\_\_ Wing \_\_\_\_\_

### Result

Race time / Lap \_\_\_\_\_  
 Best lap (1Lap) \_\_\_\_\_

### Comments

.....  
 .....  
 .....  
 .....