

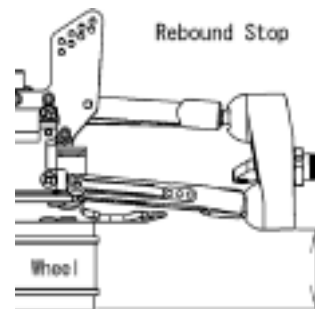
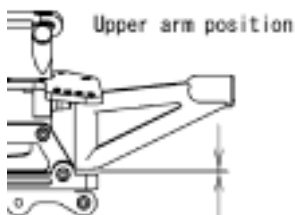
Name: Raul Peris
Date: 12/1/2002
Track: WC Uruguay

Track Size: Open Med. Tight
Conditions Traction: High Med. Low
 Surface: Smooth Med. Bumpy

Front suspension

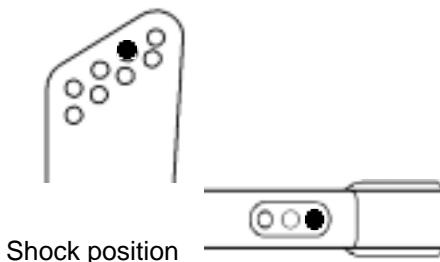
Camber angle -3 °
 Upper arm position -2 mm
 Toe angle -4 °
 Rebound stop 27 mm

Bump stop
 None Use
 Anti-roll bar
 None Use 2.1 mm

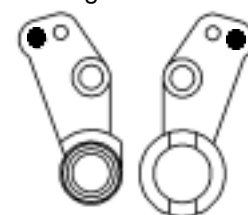


Shocks

Piston 1.4X2
 Oil # 350
 Spring Old Blue
 Spacer 5 mm



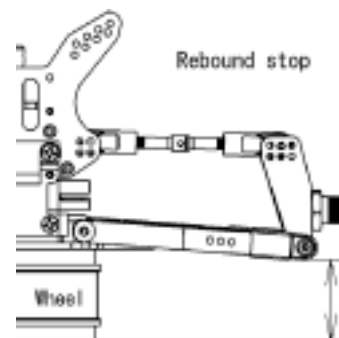
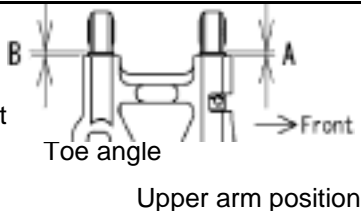
Steering Ackerman



Rear suspension

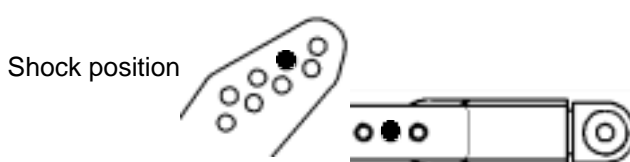
Camber angle -6 °
 Toe angle A 4 mm Sus. Mount
 B 4 mm =2°
 Rebound stop 27 mm

Bump stop
 None Use
 Anti-roll bar
 None Use 2.8 mm



Shocks

Piston 1.4X2
 Oil # 350
 Spring Old Blue
 Spacer 9 mm



Wing Position



Engine Type NOVA CLB 4T
 Gasket 0.5 mm Muffler 9853
 Plug C-6 Fuel MSRF30

Diff. Oil Front # Fioroni
 Center # 5000 new gear
 Rear # Grease w/O-Ring

Tires **Front** Type Easy Medial Pro
 Insert Gray
 Wheel Medial Pro
Rear Type Easy Medial Pro
 Insert Gray
 Wheel Medial Pro

Clutch Clutch shoes Black Aluminium
 White
 Spring 1.0 mm
 Clutch bell 13-44 T

Result

Race time / Lap _____
 Best lap (1Lap) _____

Comments:

.....

