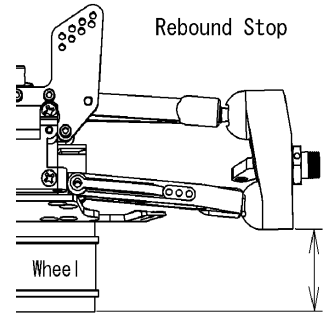
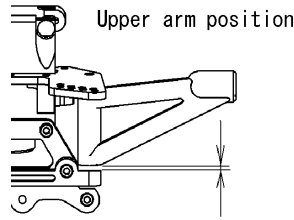


Name : _____
Date : _____
Track : _____

Track Size: Open Med. Tight
Conditions Traction: High Med. Low
 Surface: Smooth Med. Bumpy

Front suspension

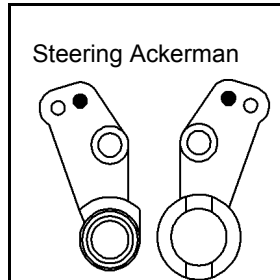
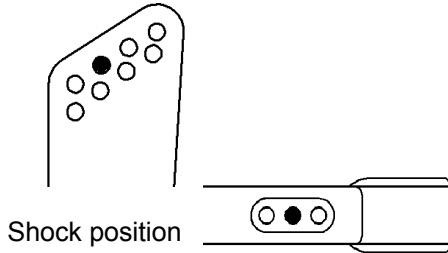
Camber angle -2 °
 Upper arm position 2 mm
 Toe angle 0 °
 Rebound stop 32 mm



Bump stop
 None Use
 Anti-roll bar
 None Use φ2.1 mm

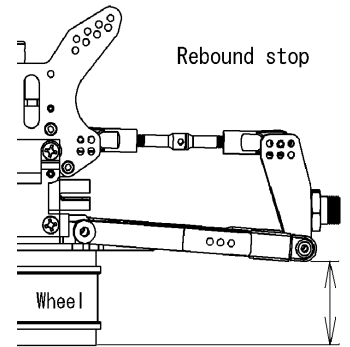
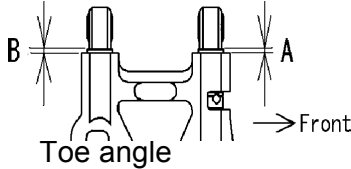
Shocks

Piston Stock
 Oil # 350
 Spring Stock
 Spacer 3 mm

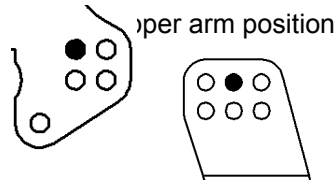


Rear suspension

Camber angle -3 °
 Toe angle A 2.5 mm
 B 2.5 mm
 Rebound stop 25 mm

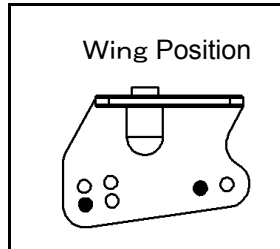
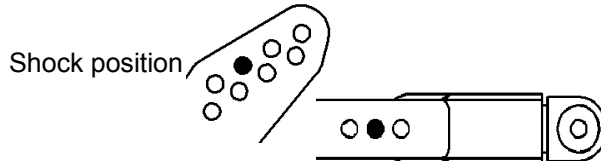


Bump stop
 None Use
 Anti-roll bar
 None Use φ2.6 mm



Shocks

Piston Stock
 Oil # 350
 Spring Stock
 Spacer 5 mm



Engine Type _____
 Gasket _____ mm Muffler _____
 Plug _____ Fuel _____

Diff. Oil Front # 3000
 Center # 7000
 Rear # 1000

Tires **Front** Type _____
 Insert _____
Rear Type _____
 Insert _____

Clutch Clutch shoes Black White
 Spring Stock mm
 Clutch bell 14 T

Result
 Race time / Lap _____
 Best lap (1Lap) _____

Comments :

