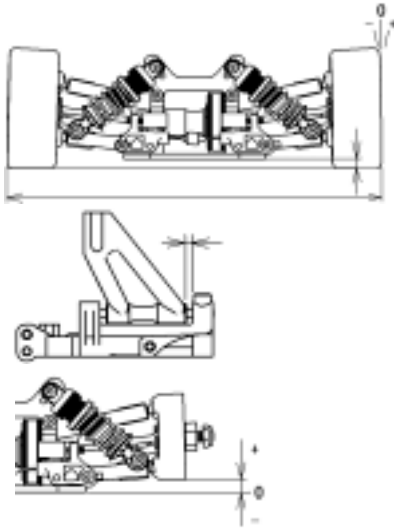


Name: Keisuke Fukuda
Date: 2/14/2004
Track: Ft. Myers R/C Raceway

Track Conditions

Size: Open Med. Tight
Traction: High Med. Low
Surface: Smooth Med. Bumpy

Front suspension



Track width 199 mm
Ride height 4 mm
Camber angle 1.5 °
Caster angle 2 mm
Toe angle -1.5 °
Rebound stop 1 mm
Bump stop
 None Use

Anti-roll bar

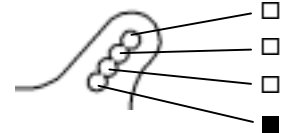
Steering Ackerman (T0304)

A B C

Front shocks

Piston 1.1x1
Oil # 600
Spring Light Blue

Shock position



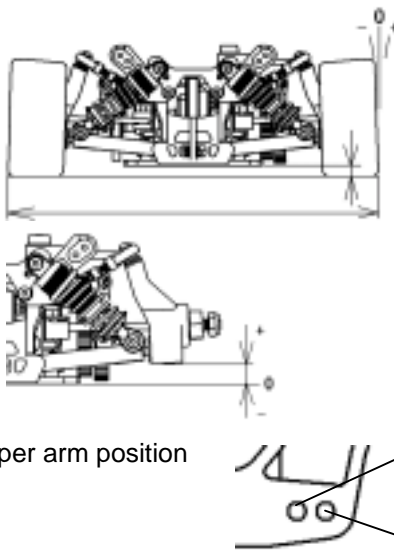
Front diff.

Gear diff.

Oil # _____

One way

Rear suspension



Track width 200 mm
Ride height 5 mm
Camber angle 4 °
Toe angle 2.5 °
Rebound stop 6 mm
Bump stop
 None Use

Lower arm position(T0128,T0129)

4mm(A-A) 5mm(B-B) 6mm(C-C)

Anti-roll bar 2.5 mm

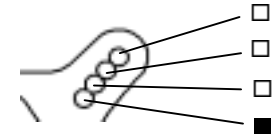
Upper arm position



Rear shocks

Piston 1.1x2
Oil # 600
Spring Light Blue

Shock position



Rear diff.

Oil # 30000

Engine

Type Nova RR12L3
Gasket 0.3 mm Muffler Mugen EFRA 2501
Plug 7Tf Fuel Mugen Seiki Racing Fuel

Clutch

Clutch shoes Black Gray
Centrifugal shoe Kawahara
Spring Kawahara Black

Tire

Front		Rear	
Type	<u>Kawahara 42°A</u>	Type	<u>Kawahara 42°A</u>
Dia.(start)	<u>L 62 /R 62</u>	Dia.(start)	<u>L 64 /R 64</u>
Dia.(finish)	<u>L /R</u>	Dia.(finish)	<u>L /R</u>

Clutch bell clearance 0.4 mm
Spring Adj. Nut position 1.5 mm

Body

Type Protoform Mazda 6
Wing _____

Drive ratio

1st 20 / 58
2nd 27 / 53

Brake pad

Black Yellow

Result

Race time / Lap 23L / 5'13
Best lap (1Lap) 12'9

Comments:

.....
.....
.....
.....