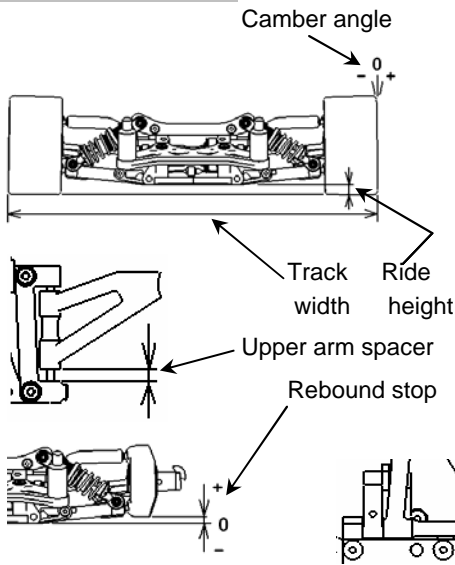


Name: _____
Date: _____
Track: _____

Track Conditions

Size: Open Med. Tight
Traction: High Med. Low
Surface: Smooth Med. Bumpy

Front suspension



Track width 253 mm
Ride height 6.5 mm
Camber angle -2 °
Upper arm spacer 2 mm
Toe angle out 1.5 °
Rebound stop 0 mm
Bump stop None Use
Lower arm spacer 0 mm
Upper arm position 0 mm
Anti-roll bar

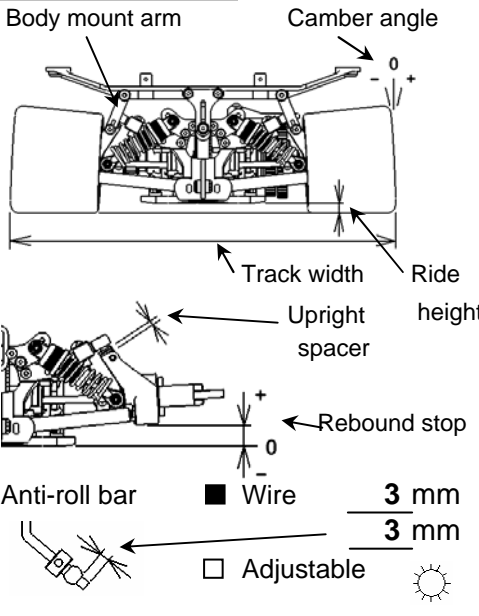
Front upright

Eccentric hub
 T0154
 H0188

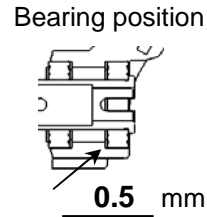
Steering ackerman

A
 B
 C
 D

Rear suspension



Track width 263 mm
Ride height 7.5 mm
Camber angle -3 °
Toe angle in 2 °
Rebound stop 9 mm
Bump stop None Use
Lower arm position(H0134)
 4.5mm 5mm 5.5mm
Upright spacer 3 mm
Upper arm position
Eccentric hub
 T0154
 H0188
Body mount arm
 H0466C(Short)
 H0466F(Long)



Front shock

Piston Stock
Oil # 600
Springs White
Shock position

Rear shock

Piston Stock
Oil # 600
Springs White
Shock position

Engine Type _____ Muffler _____
Gasket _____ mm Manifold _____
Plug _____ Fuel _____

Clutch
Clutch shoe Yellow Gray Red
Centrifugal shoe H0775
Spring Super hard
Clutch bell clearance 0.4 mm
Spring adj. nut position 0.8 mm

Tire <Front> <Rear>
Type _____ Type _____
Dia.(start) L 69 /R 69 Dia.(start) L 76 /R 76
Dia.(finish) L /R Dia.(finish) L /R

Brake pad Black Yellow

Body Type _____
Body position _____ mm
Rear spoiler _____ mm

Drive ratio Gear ratio Side pulley
1st. 17/49 25T
2nd. 20/46 26T

Result
Race time / Lap _____
Best lap (1Lap) _____

Comments:
.....
.....
.....
.....