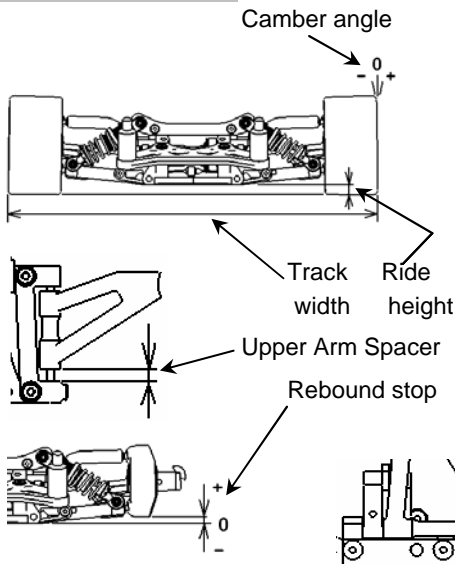


Name: _____
Date: _____
Track: _____

Track Conditions

Size: Open Med. Tight
Traction: High Med. Low
Surface: Smooth Med. Bumpy

Front suspension



Track width _____ mm
Ride height _____ mm
Camber angle _____ °
Upper Arm Spacer _____ mm
Toe angle _____ °
Rebound stop _____ mm
Bump stop None Use
Lower arm spacer _____ mm
Upper arm position _____ mm
Anti-roll bar

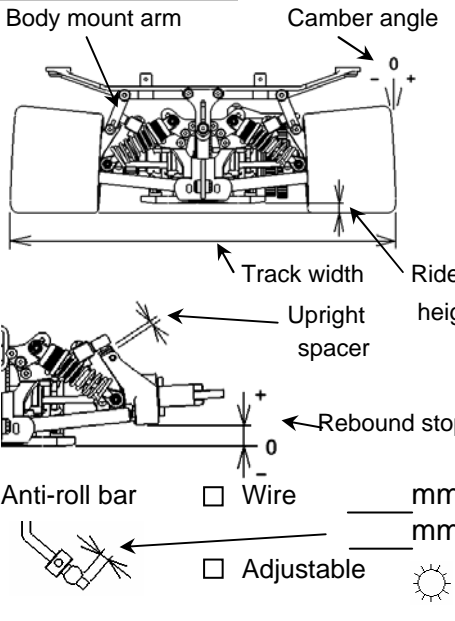
Front Upright

_____ mm
_____ mm

Eccentric Hub

T0154
 H0188

Rear suspension



Track width _____ mm
Ride height _____ mm
Camber angle _____ °
Toe angle _____ °
Rebound stop _____ mm
Bump stop None Use
Lower arm position(H0134)
 4.5mm 5mm 5.5mm
Upright spacer _____ mm
Upper Arm Position _____ mm
Eccentric Hub
 T0154
 H0188
Body mount arm
 H0466C(Short)
 H0466F(Long)

Front shock

Piston _____
Oil # _____
Springs _____
Shock position _____

Steering ackerman

A
 B
 C
 D

Rear shock

Piston _____
Oil # _____
Springs _____
Shock position _____

Engine Type _____ Muffler _____
Gasket _____ mm Manifold _____
Plug _____ Fuel _____

Clutch

Clutch shoe Yellow Gray Red
Centrifugal shoe _____
Spring _____
Clutch bell clearance _____ mm
Spring adj. nut position _____ mm

Tire

<Front>		<Rear>	
Type _____	Type _____	Type _____	Type _____
Dia.(start) <u> L </u> / <u> R </u>	Dia.(start) <u> L </u> / <u> R </u>	Dia.(start) <u> L </u> / <u> R </u>	Dia.(start) <u> L </u> / <u> R </u>
Dia.(finish) <u> L </u> / <u> R </u>	Dia.(finish) <u> L </u> / <u> R </u>	Dia.(finish) <u> L </u> / <u> R </u>	Dia.(finish) <u> L </u> / <u> R </u>

Brake pad Black Yellow

Body Type _____
Body position _____ mm
Rear spoiler _____ mm

Drive ratio

Gear ratio	Side pulley
1st. <u> / </u>	<input type="checkbox"/> 25T
2nd. <u> / </u>	<input type="checkbox"/> 26T

Result

Race time / Lap _____
Best lap (1Lap) _____

Comments:

.....
.....
.....
.....