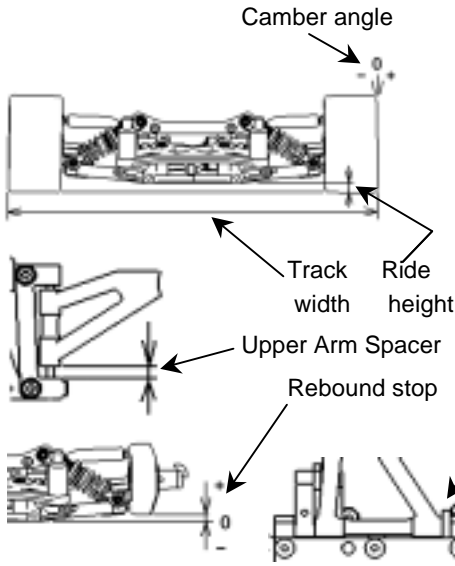


Name: _____
Date: _____
Track: _____

Track Conditions

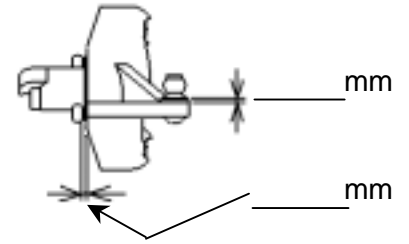
Size: Open Med. Tight
 Traction: High Med. Low
 Surface: Smooth Med. Bumpy

Front suspension

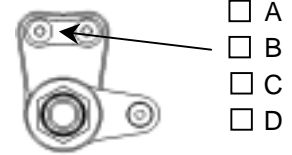


Track width _____ mm
 Ride height _____ mm
 Camber angle _____ °
 Upper Arm Spacer _____ mm
 Toe angle _____ °
 Rebound stop _____ mm
 Bump stop None Use
 Lower arm spacer _____ mm
 Upper arm position _____ mm
 Anti-roll bar

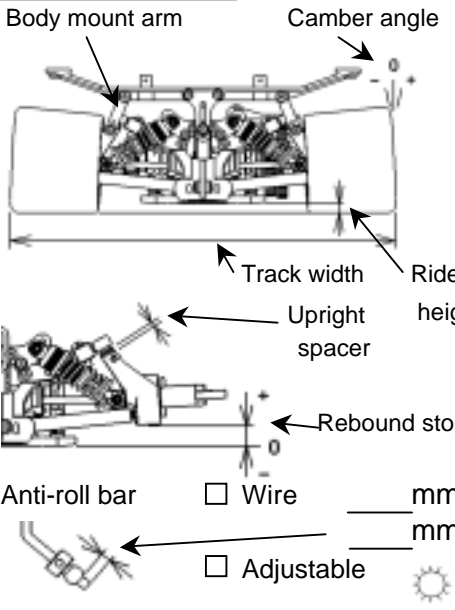
Front Upright



Steering ackerman



Rear suspension



Track width _____ mm
 Ride height _____ mm
 Camber angle _____ °
 Toe angle _____ °
 Rebound stop _____ mm
 Bump stop None Use
 Lower arm position(H0134)
 Ride 4.5mm 5.5mm
 Upright spacer _____ mm
 Upper Arm Position
 Anti-roll bar Wire _____ mm
 Adjustable _____ mm
 Body mount arm
 Long(H0466C)
 Short(H0466D)

Front shock

Piston _____
 Oil # _____
 Springs _____
 Shock position

Rear shock

Piston _____
 Oil # _____
 Springs _____
 Shock position

Engine Type _____ Muffler _____
 Gasket _____ mm Manifold _____
 Plug _____ Fuel _____

Clutch

Clutch shoe Yellow Gray Red
 Centrifugal shoe _____
 Spring _____
 Clutch bell clearance _____ mm
 Spring adj. nut position _____ mm

Tire **<Front>** Type _____
 Dia.(start) L / R
 Dia.(finish) L / R
<Rear> Type _____
 Dia.(start) L / R
 Dia.(finish) L / R

Brake pad

Black Yellow

Body Type _____
 Body position _____ mm
 Rear spoiler _____ mm

Drive ratio

Gear ratio Side pulley
 1st. / 25T
 2nd. / 26T

Result
 Race time / Lap _____
 Best lap (1Lap) _____

Comments:

