

PRO STARTER B3

INSTRUCTION MANUAL

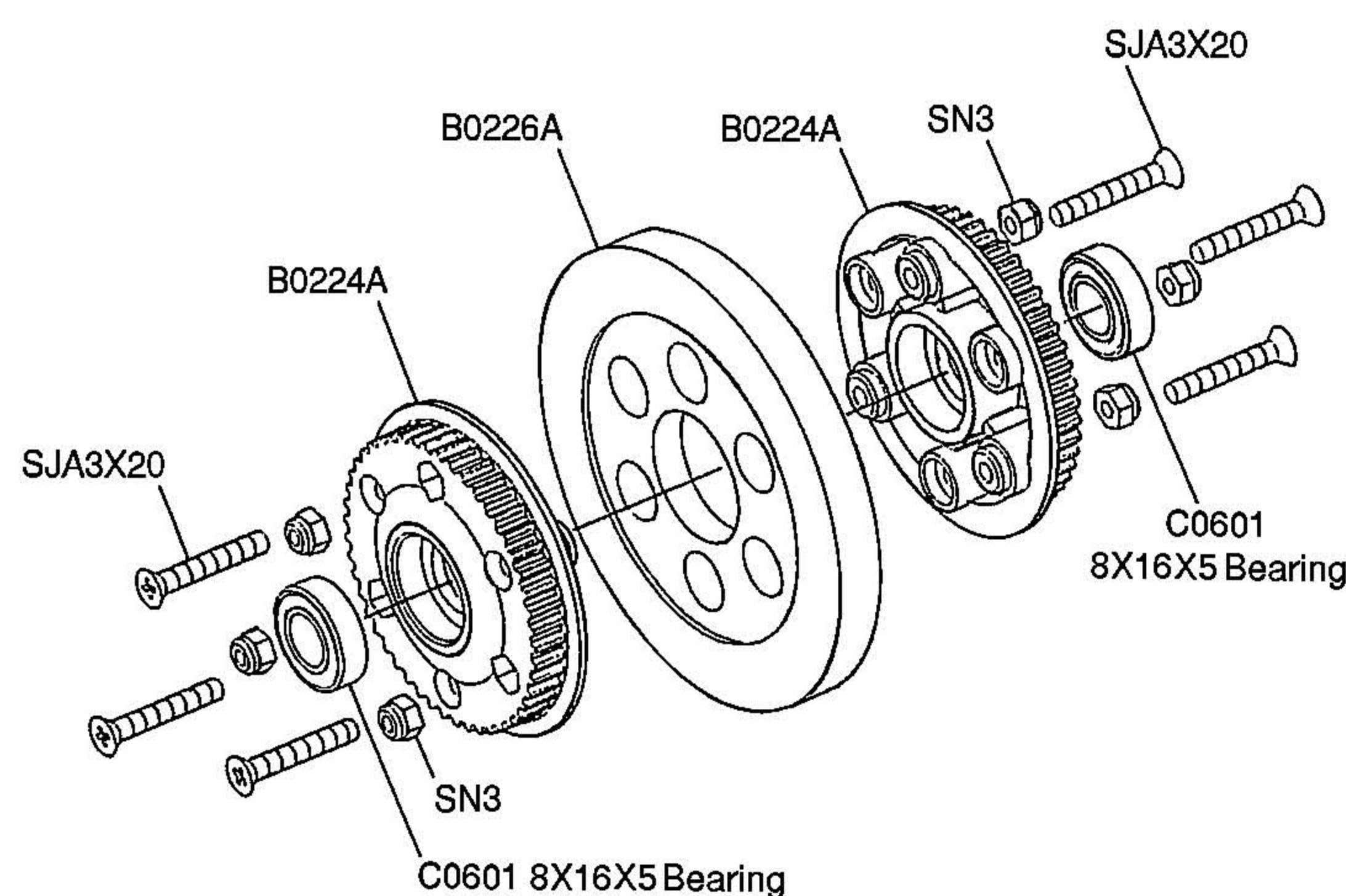
FOR 1/8 SCALE BUGGY and 1/10 SCALE TOURING-CAR

Congratulations for buying the MUGEN PRO STARTER B3. The PRO STARTER B3 runs on two 7.2~7.4V batteries (purchase separately) and uses two 540 motors. This starter box is compact size and easy to start the engine.

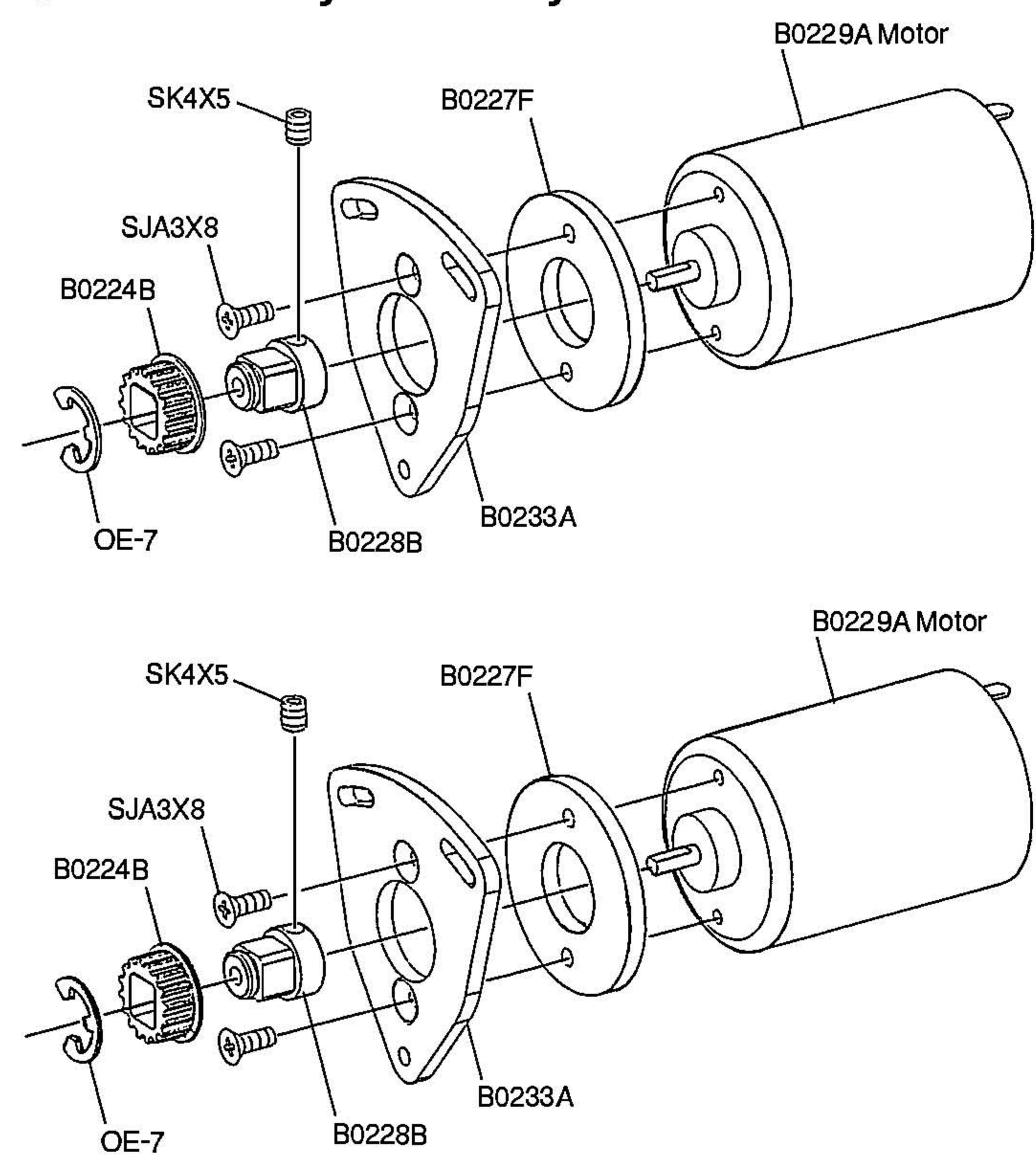
Caution

Read carefully and fully understand the instructions before commencing assembly.

① Starter Ring Assembly



② Motor Pulley Assembly



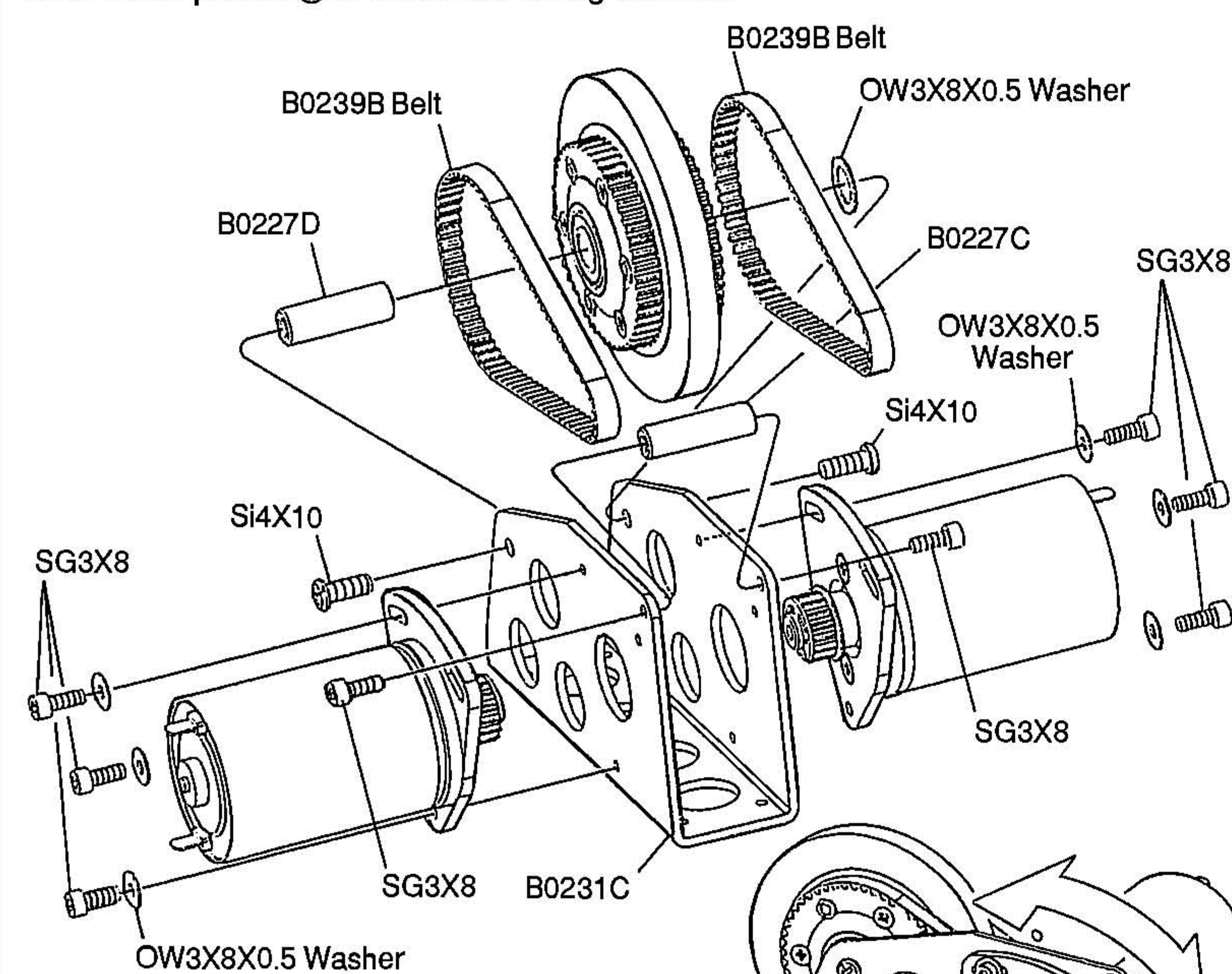
Safety Precaution

Follow the guidelines below.

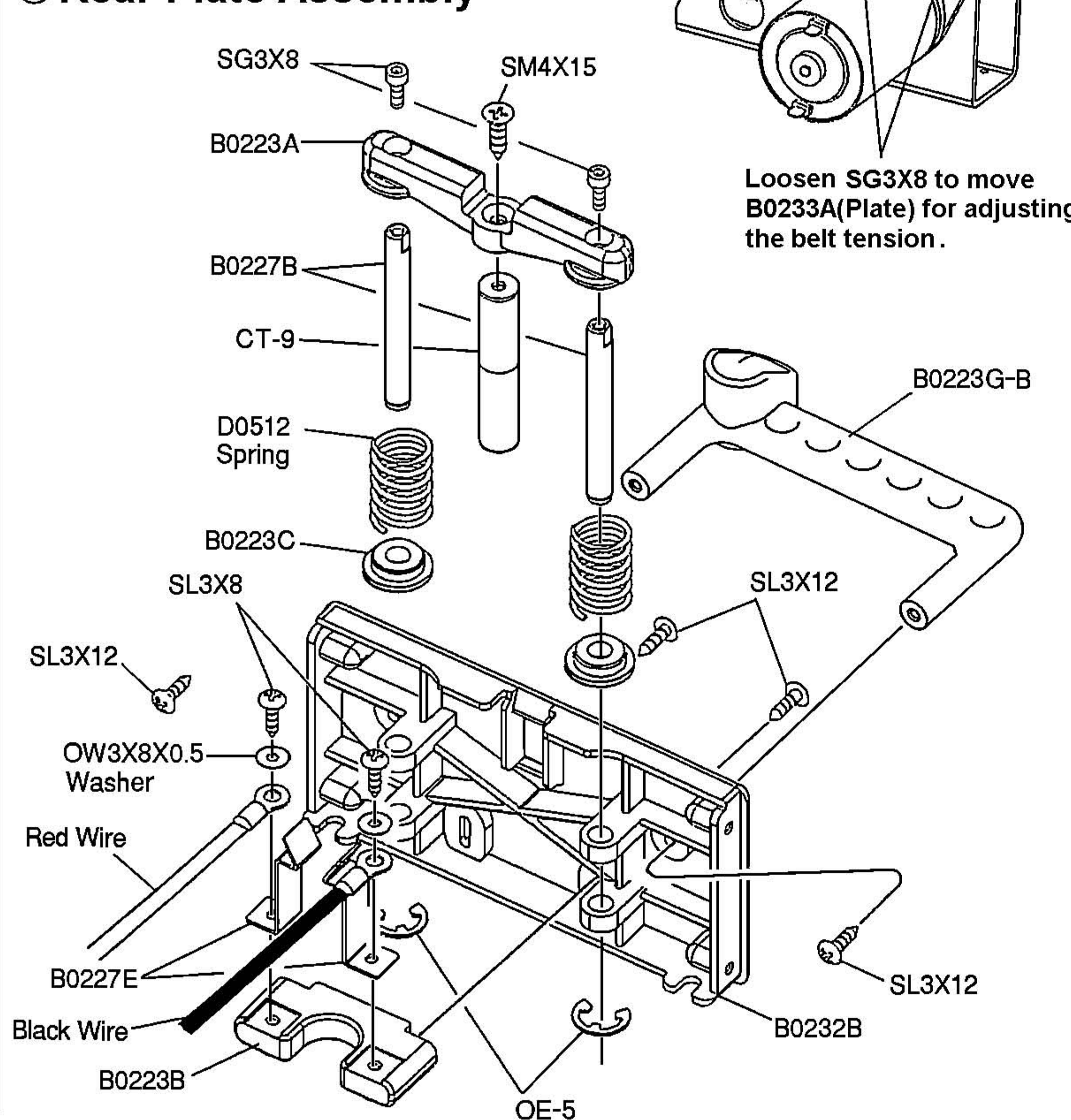
1. When assembling the starter box, use the edged tools with care to avoid injury.
2. Check the wiring cord to avoid the excess heat build-up and possibly a fire. Bundle the wiring cord with strap.
3. If the assembly of drive unit is incomplete, it could cause a damage to the motor.
4. Do not touch the drive unit while it's rotating.
5. Disconnect the battery when you do not use.

③ Drive Unit Assembly

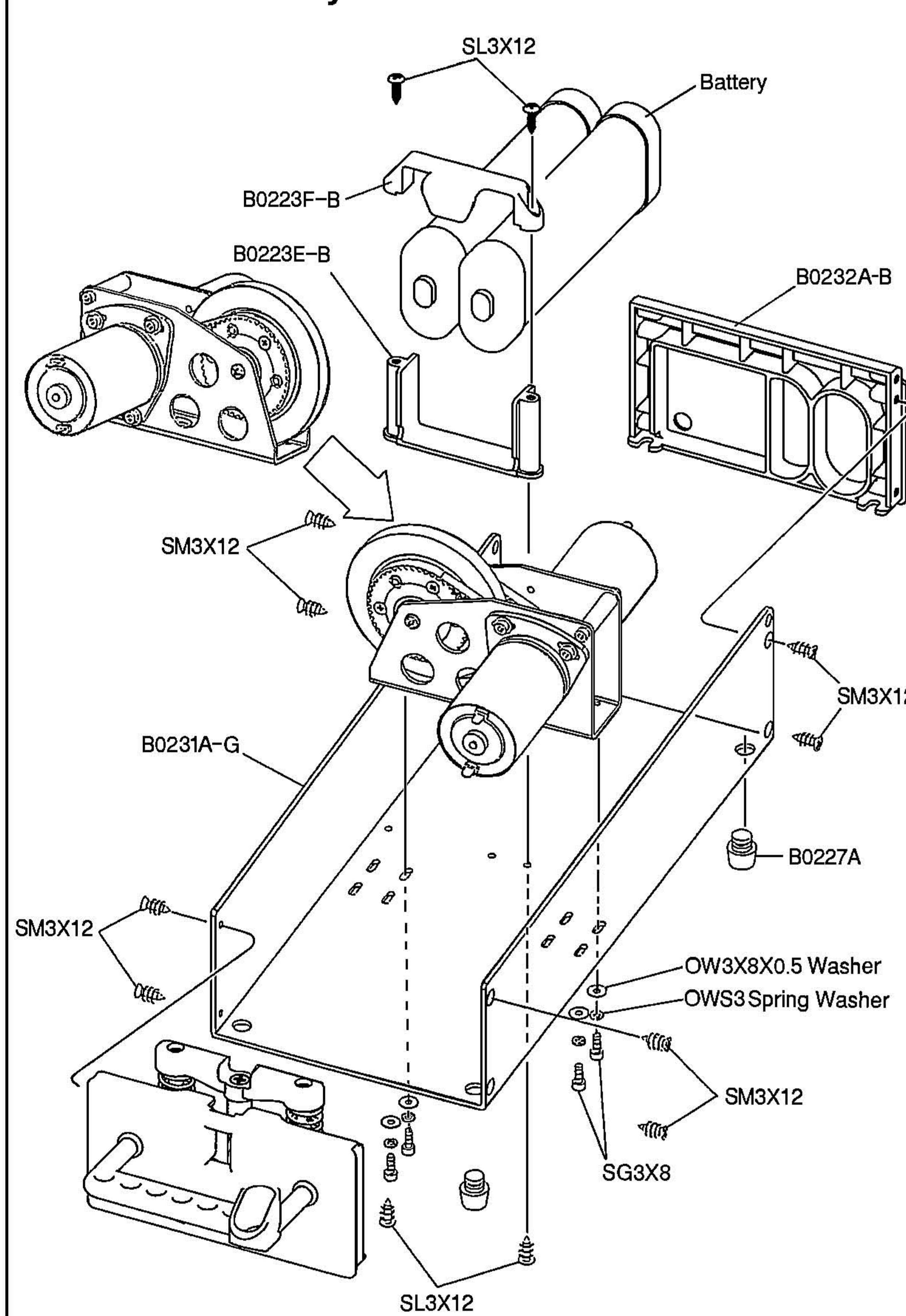
Refer to the picture ⑥ to install the wiring harness.



④ Rear Plate Assembly



⑤ Frame Assembly

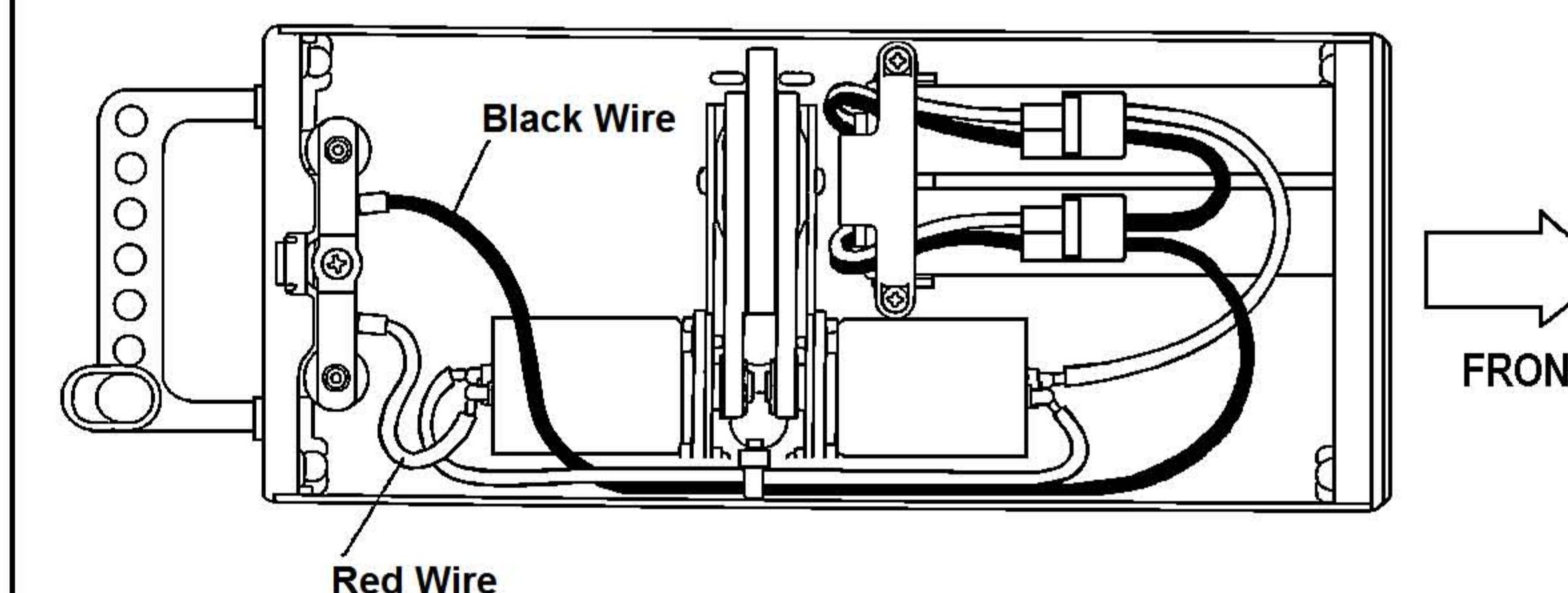


*Install B0232A-B/B0232B (F/R Plate) after installing B0227A (Base Stand).

⑥ Wiring Cord Assembly

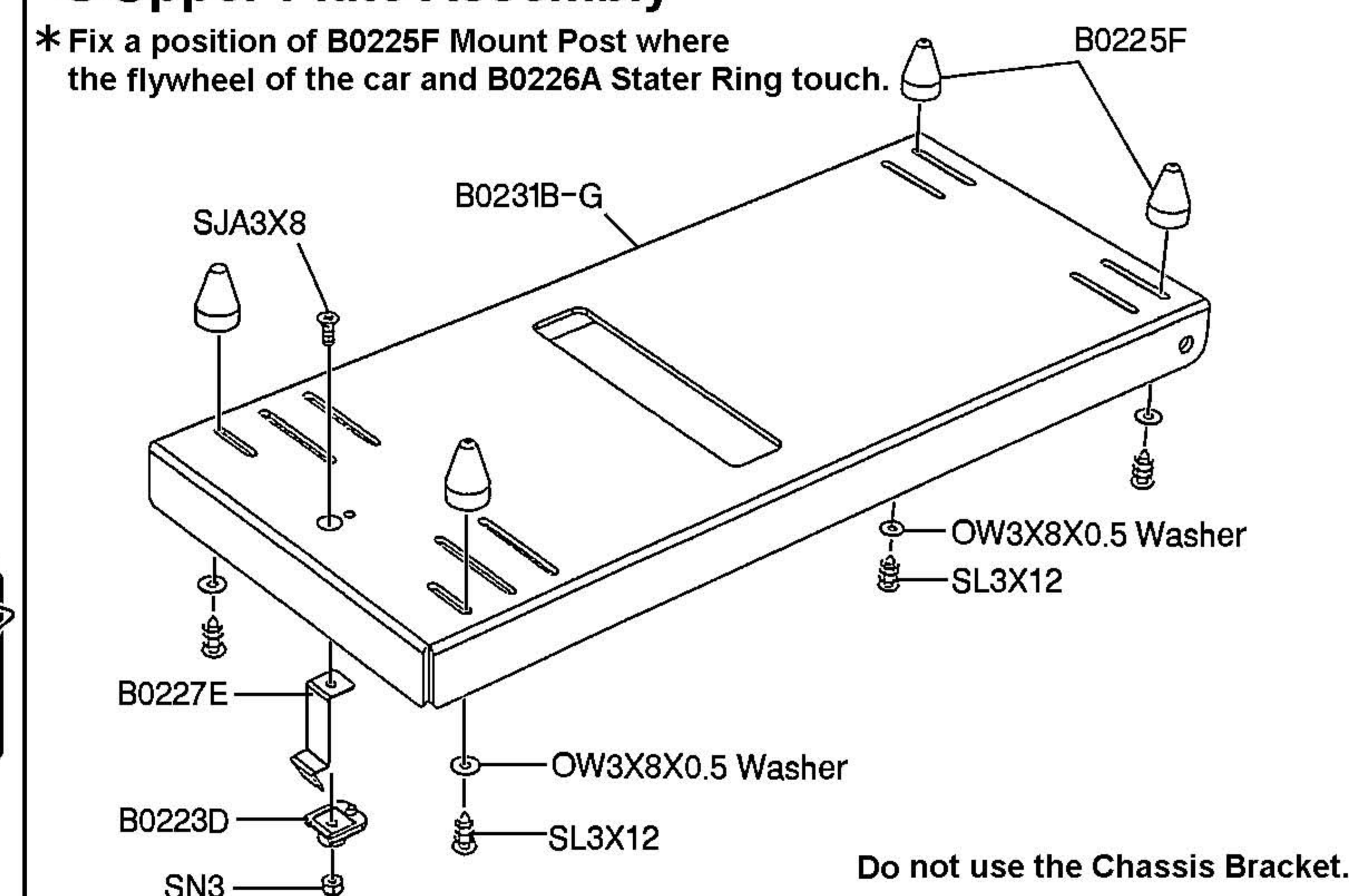
*Bundle the wiring cord with strap.

• Confirm the direction which the flywheel of car turns and the rotation of the starter ring after assembly.



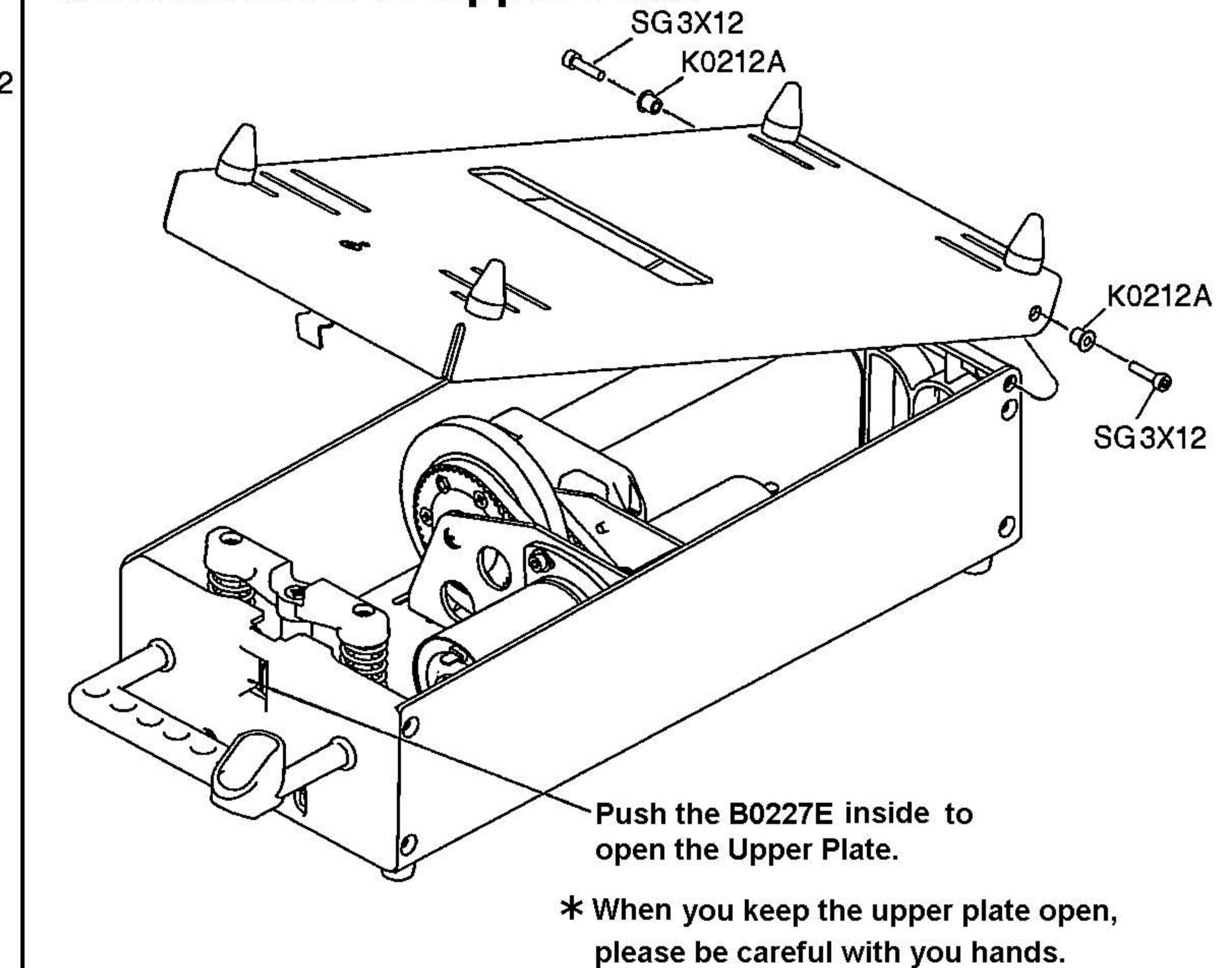
⑦ Upper Plate Assembly

* Fix a position of B0225F Mount Post where the flywheel of the car and B0226A Stator Ring touch.



Do not use the Chassis Bracket.

⑧ Installation of Upper Plate



PRO STARTER B3 PRATS LIST

P/N	Description
B0231A-G	Frame (Gray) B0231A-G 1pc. B0231B-G 1pc.
B0231C/1	Motor Mount B0231C 1pc. B0227C 1pc. B0227D 1pc. B0227F 2pcs. B0233A 2pcs.
B0232-B	F/R Plate B0232A-B 1pc. B0232B 1pc.
B0223-B	Switch Parts B0223A 1pc. B0223B 1pc. B0223C 2pcs. B0223D 1pc. B0223E-B 1pc. B0223F-B 1pc. B0223G-B 1pc.
B0224	Pulley B0224A 2pcs. B0224B 2pcs.
B0225	Motor Parts B0225A 1pc. B0225B 1pc. B0225C 1pc. B0225D 2pcs. B0225E 2pcs. B0225F 4pcs. B0225G 1pc.
B0226	Starter Ring B0226A 1pc.
B0227A	Base Stand B0227A 4pcs.
B0227B	Switch Shaft B0227B 2pcs.
B0227E/1	Switch CT-9 1pc. B0227E 3pcs.
B0228B	Pulley Adapter S B0228B 1pc.
B0229A/1	Starter Motor Motor 1pc.
B0233	Battery Cord for PRO STARTER (for 12V) 1pc.
B0239	Starter Belt 1pc.
C0601	8x16x5 Bearing 2pcs.
D0512	Spring 2pcs.
K0212	King Pin Color 4pcs.

株式会社 無限精機 MUGEN SEIKI CO., LTD.
 〒274-0817千葉県船橋市高根町1395番地 1395 TAKANE-CHO FUNABASHI, CHIBA
 Phone: 047-430-1663 Fax: 047-430-1665 247-0817, JAPAN
<http://www.mugenseiki.com> e-mail: support@mugenseiki.com