

PRO STARTER R3

B0236BKa INSTRUCTION MANUAL

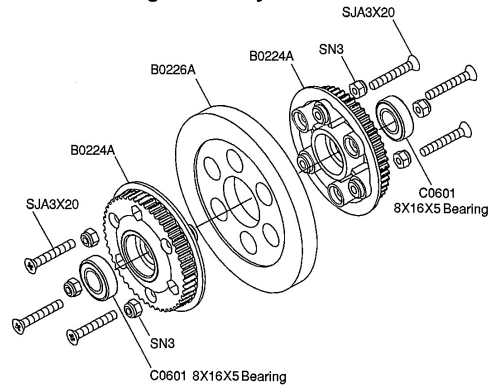
FOR 1/8 SCALE RACING CAR and 1/10 SCALE TOURING CAR

Congratulations for buying the MUGEN PRO STARTER R3.
The PRO STARTER R3 runs on two 7.2~7.4V batteries (purchase separately)
and uses two 540 motors.
This starter box is compact size and easy to start the engine.

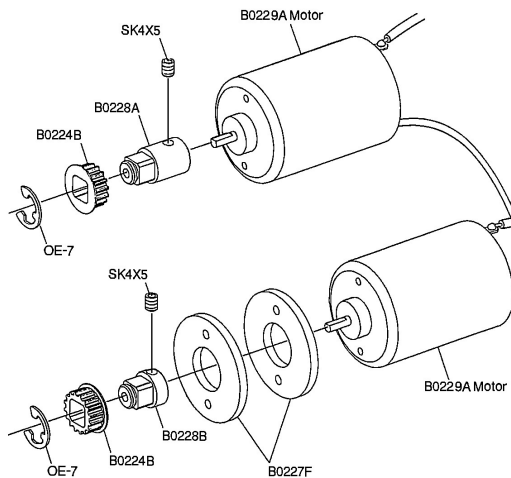
Caution

Read carefully and fully understand the instructions before commencing
assembly.

① Starter Ring Assembly



② Motor Pulley Assembly



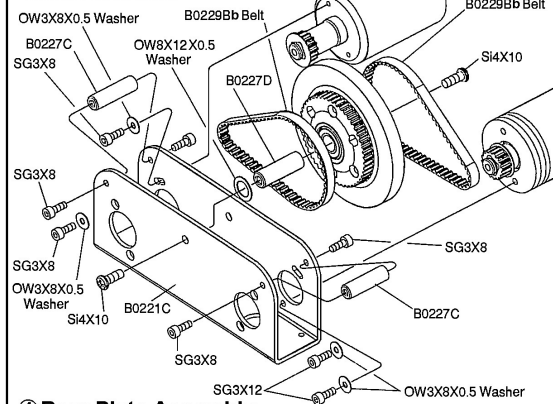
Safety Precaution

Follow the guidelines below.

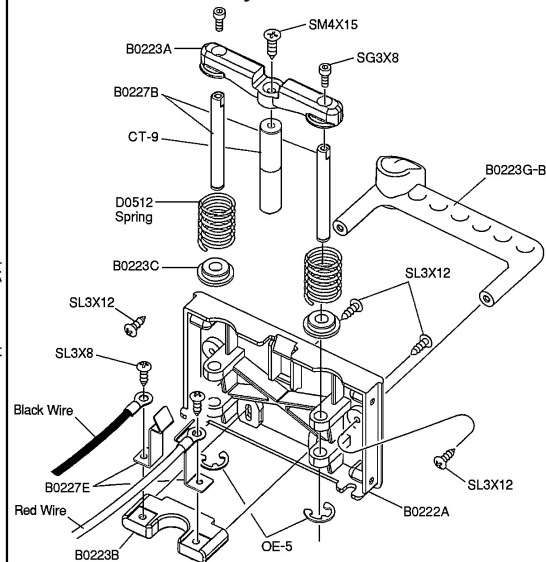
1. When assembling the starter box, use the edged tools with care to avoid injury.
2. Check the wiring cord to avoid the excess heat build-up and possibly a fire.
Bundle the wiring cord with strap.
3. If the assembly of drive unit is incomplete, it could cause a damage to the motor.
4. Do not touch the drive unit while it's rotating.
5. Disconnect the battery when you do not use.

③ Drive Unit Assembly

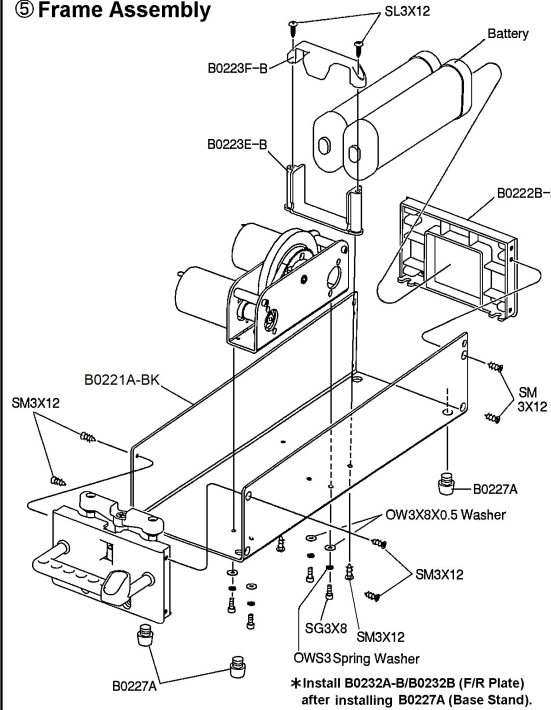
* Adjust the tension of B0229Ba Belt
when you set the motor.



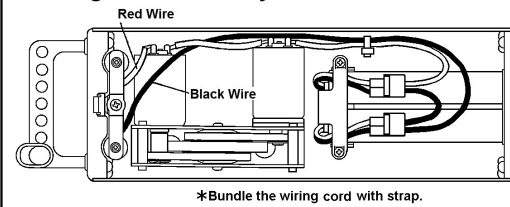
④ Rear Plate Assembly



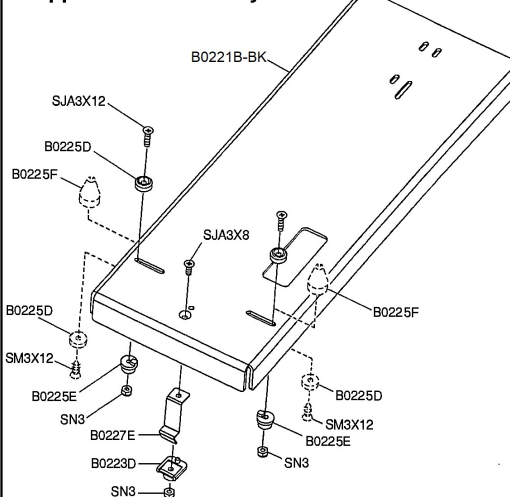
⑤ Frame Assembly



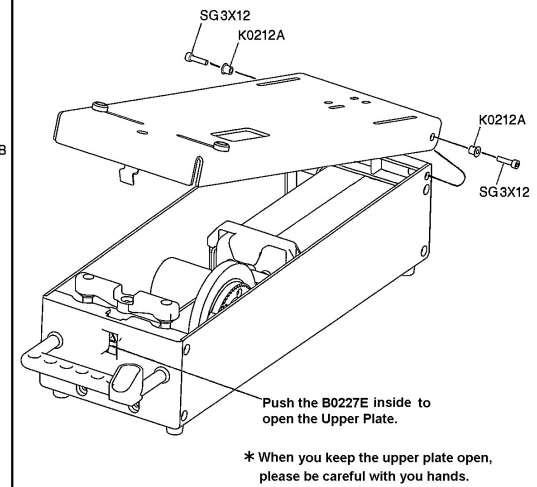
⑥ Wiring Cord Assembly



⑦ Upper Plate Assembly



⑧ Installation of Upper Plate



B0236BKa PRO STARTER R3 PARTS LIST

P/N	Description
B0221C/1	Motor Mount B0221C 1pc. B0227C 1pc. B0227D 1pc. B0227F 2pcs.
B0222-B	F/R Plate B0222A 1pc. B0222B-B 1pc.
B0223-Bb	Switch Parts B0223A 1pc. B0223B 1pc. B0223C 2pcs. B0223D 1pc. B0223E-B 1pc. B0223F-B 1pc. B0223G-B 1pc.
B0224c	Pulley B0224A 2pcs. B0224B 2pcs.
B0225c	Motor Parts B0225A 1pc. B0225B 1pc. B0225C 1pc. B0225D 2pcs. B0225E 2pcs. B0225F 4pcs. B0225G 1pc.
B0226	Starter Ring B0226A 1pc.
B0227Ab	Base Stand B0227A 4pcs.
B0227B	Switch Shaft B0227B 2pcs.
B0227E/1b	Switch CT-9 1pc. B0227E 3pcs.
B0228A	Pulley Adapter L B0228A 1pc.
B0228B	Pulley Adapter S B0228B 1pc.
B0229A/1a	Starter Motor Motor 1pc.
B0229Bb	Starter Belt 1pc.
C0601	8x16x5 Bearing 2pcs.
K0212	King Pin Color 4pcs.