



NOVAROSSI WORLD S.r.l.

Via Europa, 20/A - 25040 MONTICELLI BRUSATI (BS) ITALIA

www.novarossi.it

e-mail: info@novarossi.it

Tel. +39 030/6850316

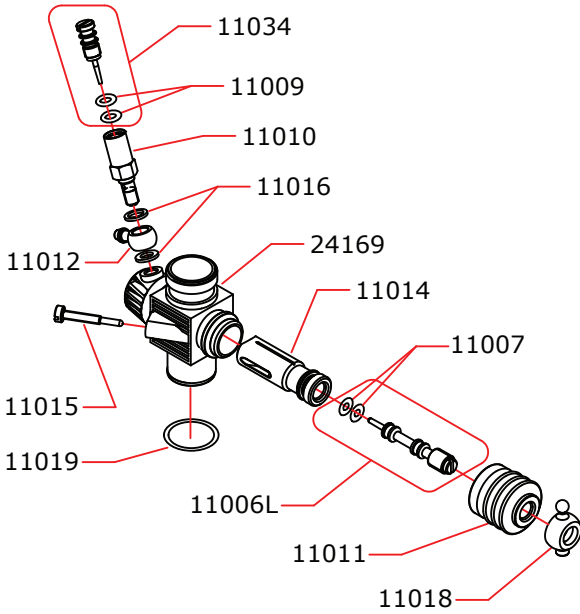
Fax: +39 030/6850314

I disegni sono puramente indicativi.

Drawings are just indicative.

EXPLODED VIEW: S21P5XLT

CARBURETTOR CODE: 24069



Data ultima modifica:
Date of last modification: **06-05-2012**

| | | |
|--|-------|--------|
| | 24460 | 6.0 mm |
| | 24475 | 7.5 mm |
| | 24470 | 7.0 mm |
| | 24480 | 8.0 mm |

| | | |
|----------|-------|---------|
| Optional | | |
| | 03002 | 0.15 mm |
| | 03001 | 0.10 mm |
| | 03004 | 0.25 mm |

