



NOVAROSSI WORLD S.r.l.

Via Europa, 20/A - 25040 MONTICELLI BRUSATI (BS) ITALIA

www.novarossi.it

e-mail: info@novarossi.it

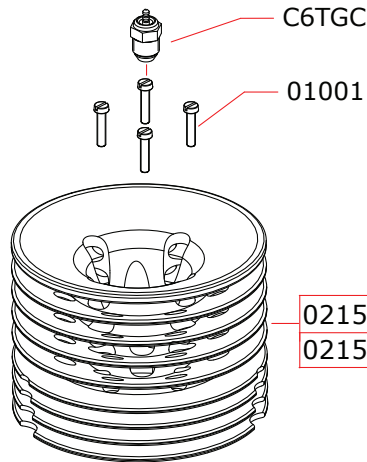
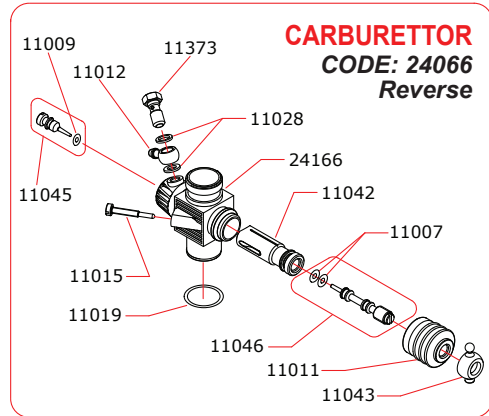
Tel. +39 030/6850316

Fax: +39 030/6850314

I disegni sono puramente indicativi.

Drawings are just indicative.

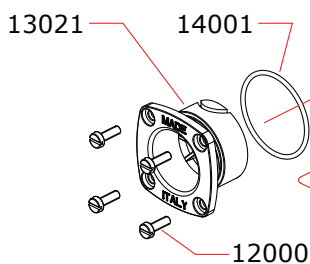
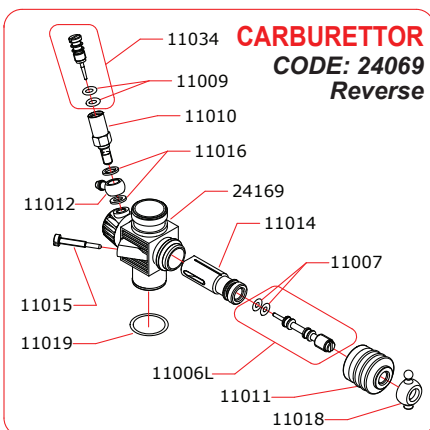
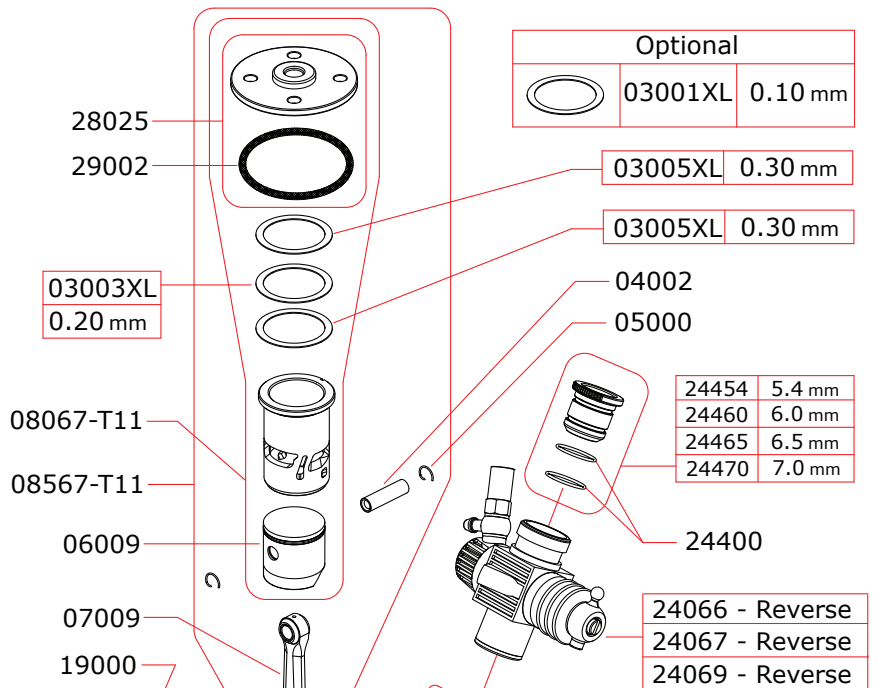
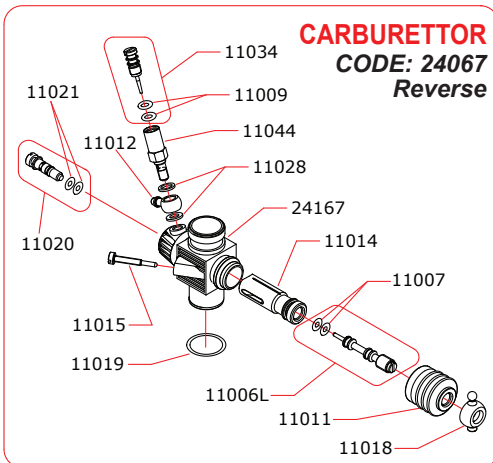
EXPLODED VIEW: KEEP-OFF.21-7XL / KEEP-OFF.21-7XLS



Data ultima modifica:
Date of last modification:

18-11-2013

| | |
|-------------|------------------|
| 02158-TN12 | KEEP-OFF.21-7XL |
| 02158-TN12S | KEEP-OFF.21-7XLS |



| | |
|-----------------|------------------|
| 17012 (ceramic) | KEEP-OFF.21-7XLS |
| 17011 (steel) | KEEP-OFF.21-7XL |