

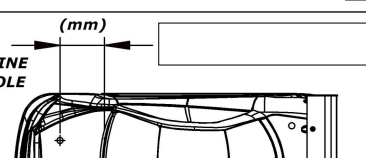
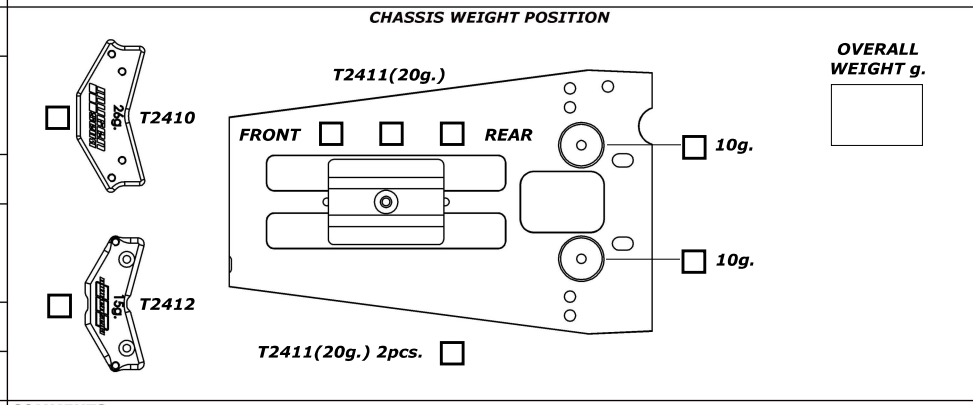
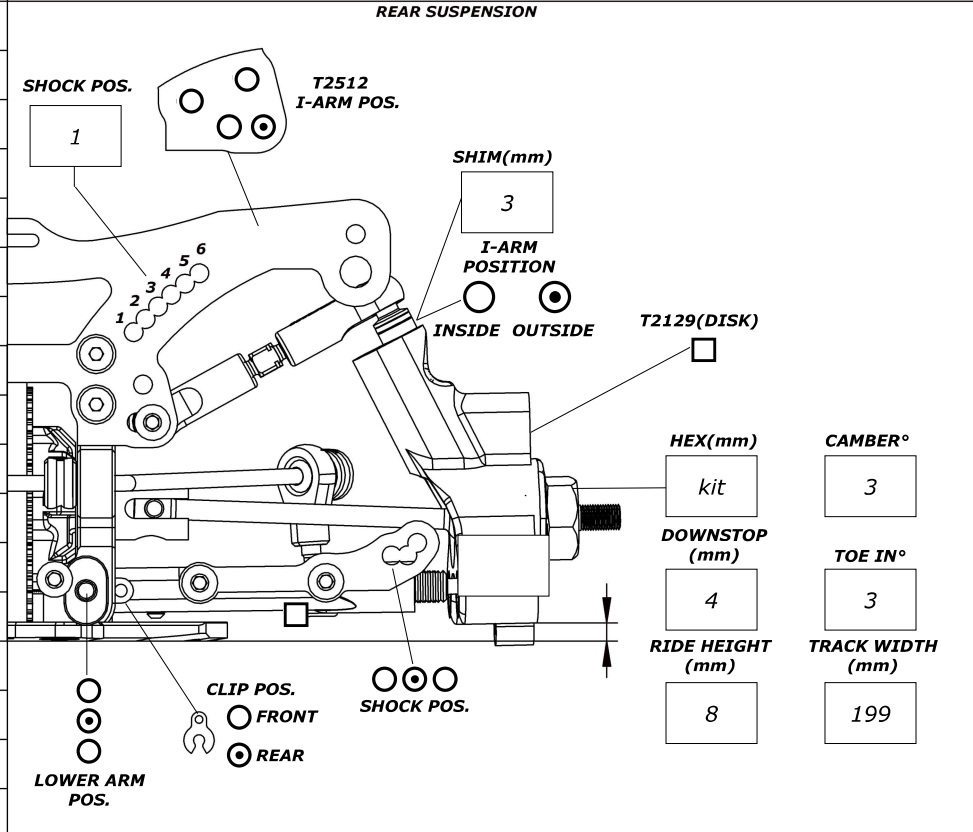
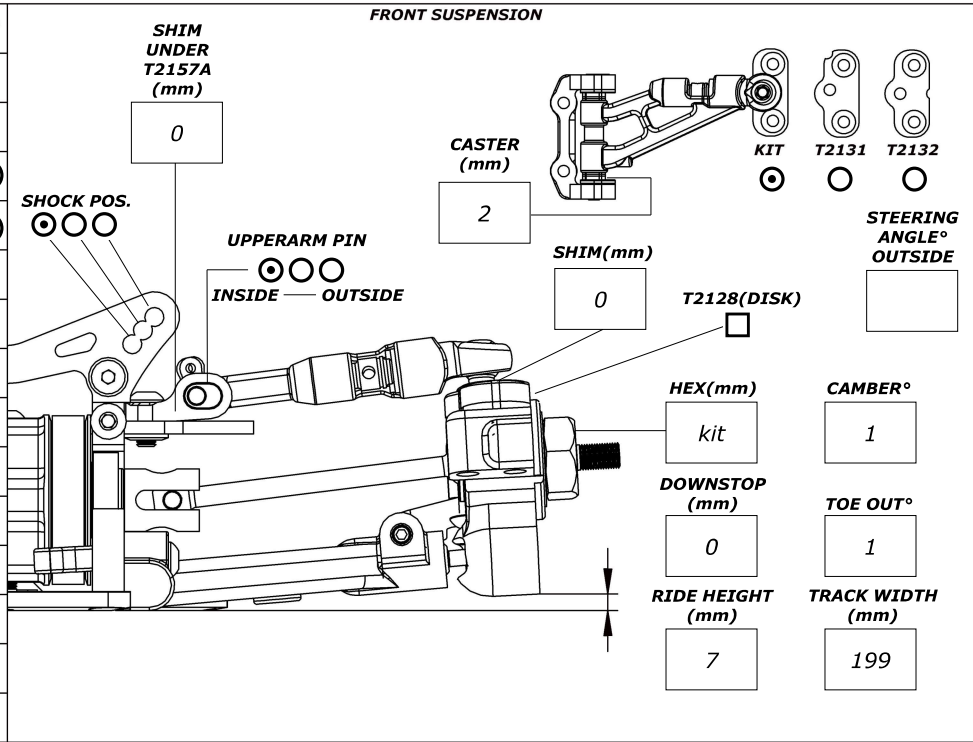
SETUPSHEET

VER:2908-1 **MTX7R**

NAME: Basic	DATE:
TRACK:	RACE:
LAYOUT: TECHNICAL <input type="radio"/> MIXED <input type="radio"/> FAST <input type="radio"/>	
TRACTION: LOW <input type="radio"/> MEDIUM <input type="radio"/> HIGH <input type="radio"/>	
TEMP°C: AIR TRACK	
ENGINE	
TYPE:	FUEL:
PIPE:	MANIFOLD:
TIRES	
BRAND:	SHORE F/R:
SIZE F/R: 62/64	ADDITIVE:
TRANSMISSION	
PINION: 15/20	SPUR: 53/48

FRONT DIFF: <input checked="" type="radio"/> OIL CST: 1.000.000 OIL (qty.): 1,6	
T2242 <input type="radio"/> OIL CST: OIL (qty.):	
REAR DIFF: OIL CST: 50.000 OIL (qty.): 1,6	
COMPOSITE GEAR: FRONT <input type="checkbox"/> REAR <input type="checkbox"/>	
CLUTCH SETTING	
BELL #: kit MAX. GAP BELL/SHOE: 0,5	
SHOE #: kit BELL AXIAL PLAY: 0,2	
SPRING #: kit SPRING PRE TENSION: 0	
SHOCK'S	
FRONT 1,1x1 (kit) PISTON: 1,1x2 (kit)	REAR
#600 (kit) OIL: #600 (kit)	
Black (kit) SPRING: Black (kit)	
11mm LENGTH: 11mm	
ANTI ROLL BAR	
FRONT 2,4 REAR 2,1	
STEERING	
SERVOHORN LENGTH (mm): 18,5	
INSERT: T2303N (8mm) <input type="radio"/> T2303J (9mm) <input checked="" type="radio"/>	
POSITION SERVO SAVER: LONG <input type="radio"/> MEDIUM <input type="radio"/> SHORT <input checked="" type="radio"/>	
BUMPSTEER SHIM (mm): 1	SHORT <input checked="" type="radio"/> LONG <input type="radio"/>
CHASSIS STIFFENER	
ORIGINAL <input checked="" type="checkbox"/> T2311 T2236	
BODYSHELL	
TYPE: WING TYPE:	

WING POSITION: WING ENDPLATE <input type="checkbox"/>	
WINDOW BODY LINE TO BODY POST HOLE (mm)	

COMMENTS: