

DATE		
DRIVER		
TRACK		
TEMP °C	AIR	TRACK

TRACTION		
LOW	MEDIUM	HIGH

LAYOUT		
SLOW	MIXED	FAST

TIRES		
BRAND		

FRONT	SHORE	RIGHT	LEFT
	SIZE Ø	RIGHT	62/62

REAR	SHORE	RIGHT	LEFT
	SIZE Ø	RIGHT	64/64

SHOCK ABSORBERS	
FRONT	REAR

PISTON	Ø 1,1x1 (kit)	PISTON	Ø 1,1x2 (kit)
OIL	#600 (kit)	OIL	#600 (kit)
SPRING	Black (kit)	SPRING	Black (kit)

ANTI ROLL BAR FRONT					
Ø2.0	Ø2.1	Ø2.2	Ø2.3	Ø2.4	Ø2.5

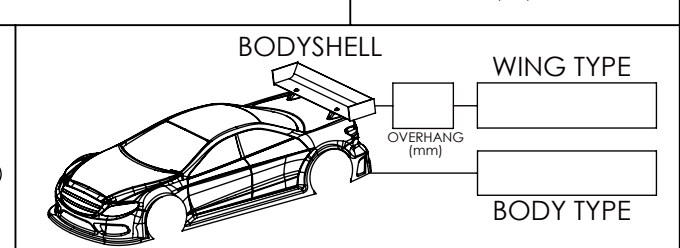
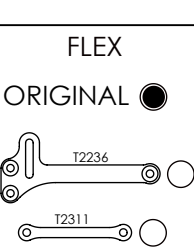
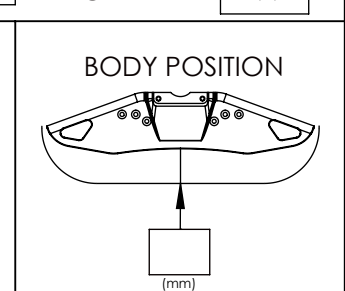
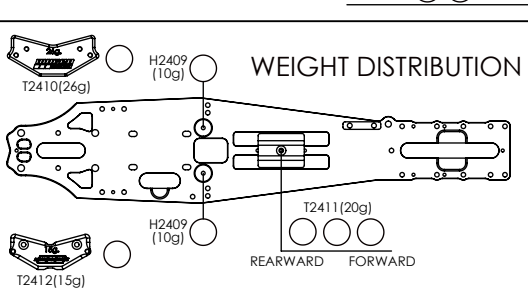
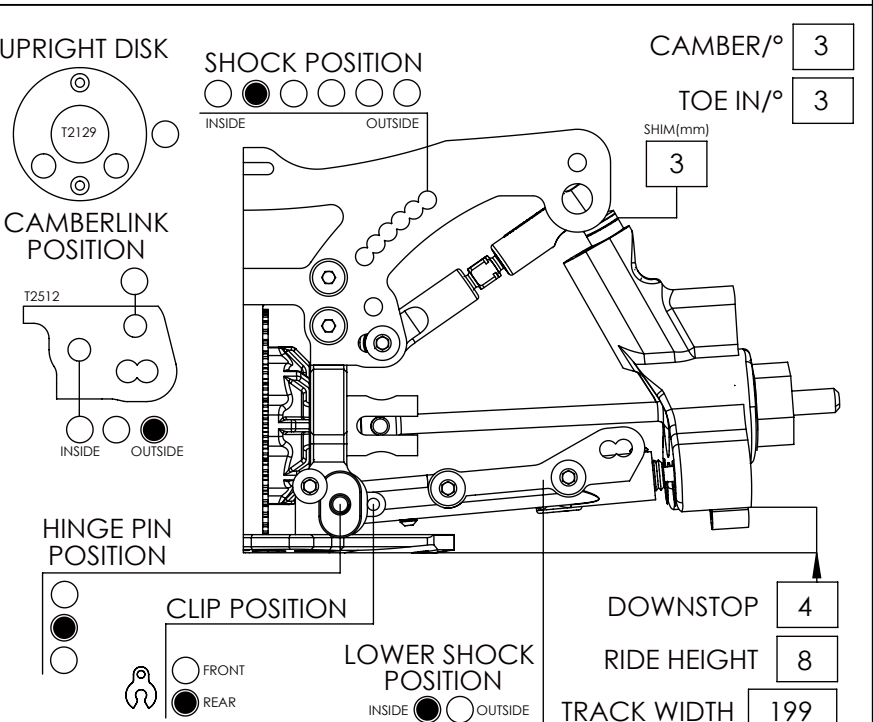
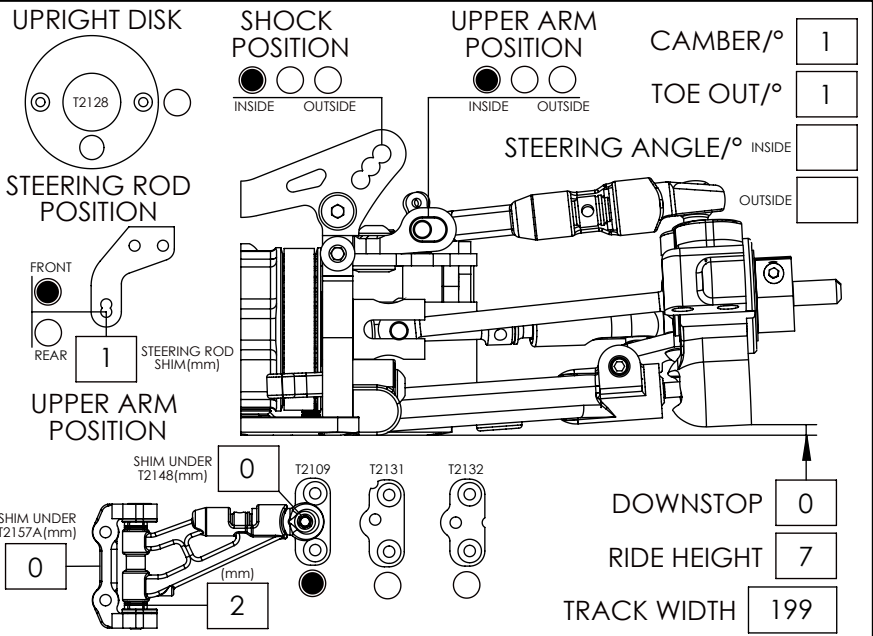
ANTI ROLL BAR REAR					
Ø2.0	Ø2.1	Ø2.2	Ø2.3	Ø2.4	Ø2.5

STEERING POSITIONS					
FRONT	CENTER	REAR	T2303N	T2303J	T2303K

DIFFERENTIAL		
FRONT DIFF	<input checked="" type="checkbox"/> 1.000.000 (kit)	OIL CST.
T2242	ADJUSTABLE ONEWAY <input type="checkbox"/>	OIL CST.
REAR DIFF	<input type="checkbox"/> A2230 plastic gear 50.000 (kit)	OIL CST.

CLUTCH SETTINGS		
BELL kit	SHOE kit	SPRING kit
BELL CLEARANCE (mm)	SPRING TENSION (mm)	AXIAL PLAY (mm)
0,5	0	0,2

GEAR RATIO			
1st SPUR	52	53	54
	7,614	7,761	7,907
1st PINION	14	15	15
	7,107	7,243	7,38
2nd SPUR	47	48	49
	5,071	5,179	5,278
2nd PINION	19	20	21
	4,818	4,92	5,023
	4,588	4,686	4,783



NOTES: