

DATE	
DRIVER	
TRACK	

CARPET  ASPHALT

TRACTION

LOW  MEDIUM  HIGH

LAYOUT

SLOW  MIXED  FAST

ELECTRIC'S

STEERING SERVO	TYPE	SETTINGS
	TYPE	SETTINGS

ESC	TYPE	SETTINGS
	TYPE	SETTINGS

ENGINE	TYPE	SETTINGS
	TYPE	SETTINGS

TYRES/ADDITIVE	TYPE	TYPE
	TYPE	TYPE

FRONT FULL	<input checked="" type="checkbox"/>	REAR FULL	<input checked="" type="checkbox"/>
MIN.	<input type="checkbox"/>	MIN.	<input type="checkbox"/>

SHOCK ABSORBERS

FRONT REAR

PISTON	4	PISTON	4
OIL	450	OIL	450
SPRING	1,56	SPRING	1,56

ANTI ROLL BAR FRONT

1,2  1,3  1,4  1,5

ANTI ROLL BAR REAR

1,1  1,2  1,3  1,4

SERVO SAVER POSITION

FORWARD	<input type="checkbox"/>	REARWARD	<input checked="" type="checkbox"/>
	<input type="checkbox"/>		<input type="checkbox"/>

PINION SPUR

DIFF SPOOL

HIGH	<input type="checkbox"/>	HIGH	<input type="checkbox"/>
LOW	<input checked="" type="checkbox"/>	LOW	<input checked="" type="checkbox"/>

DIFF OIL CST

3000

SHOCK POSITION LOWER ARM

PART#	REAR kit	PART#	FRONT kit

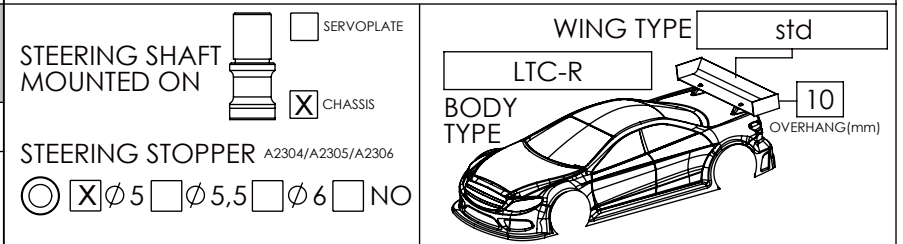
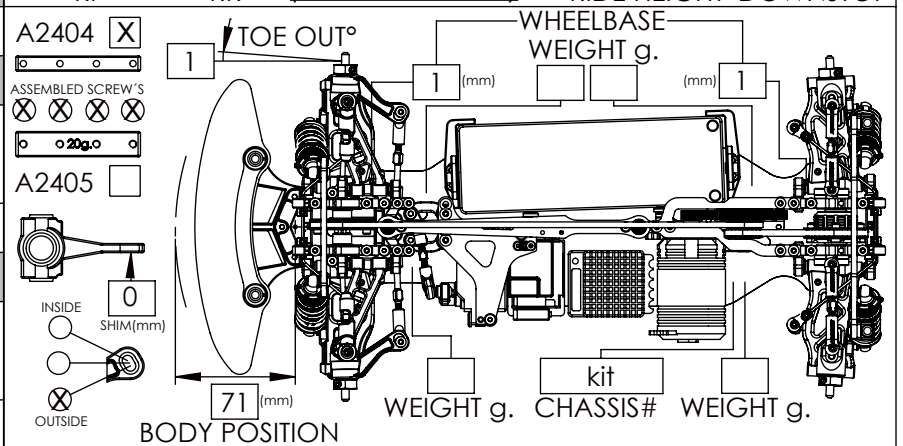
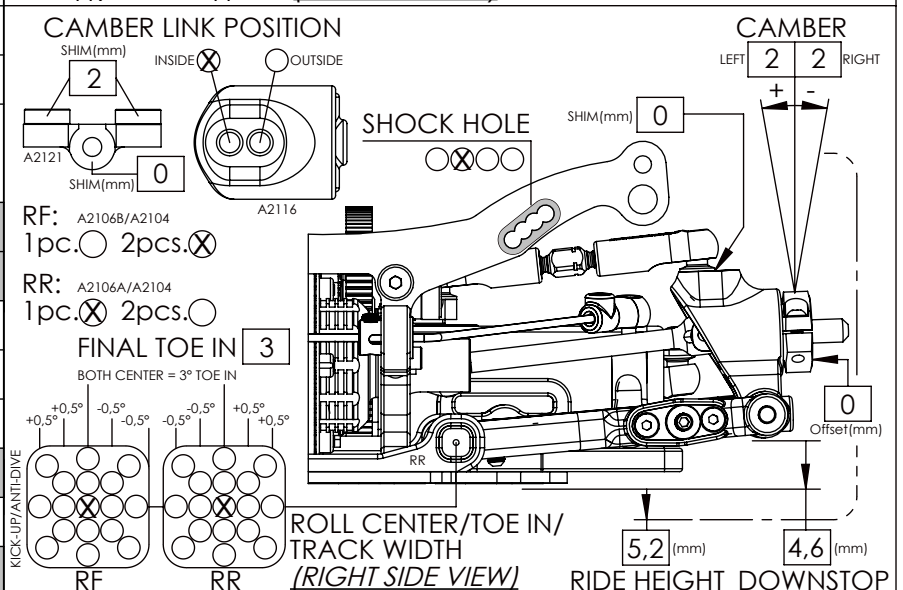
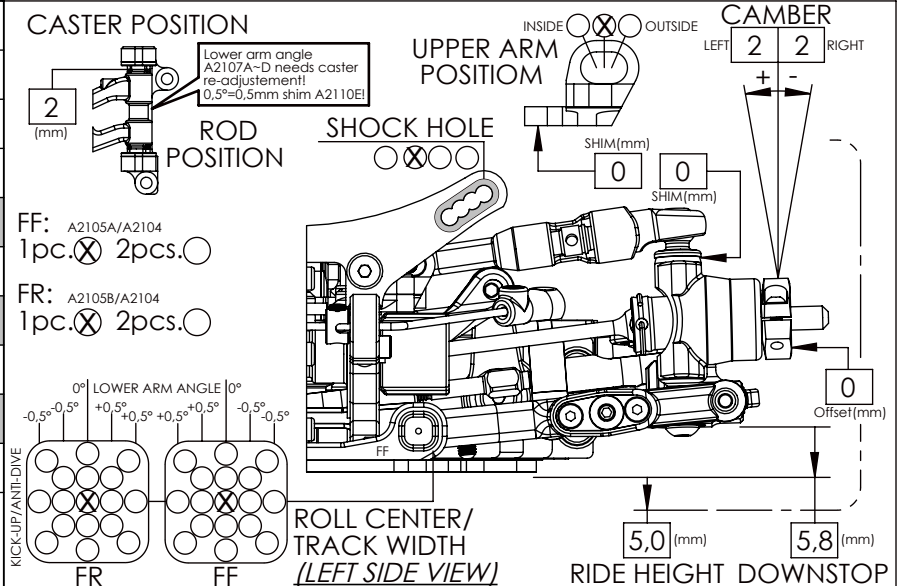
HOLE POSITION BALL LINK	INSIDE <input type="checkbox"/>	HOLE POSITION BALL LINK	INSIDE <input type="checkbox"/>
	OUTSIDE <input checked="" type="checkbox"/>		OUTSIDE <input checked="" type="checkbox"/>

FLEX

ULTRAFLEX

TOPDECK

SCREW'S ASSEMBLED



NOTES:

Please find more setup sheets at:  
[www.mugenseiki.co.jp](http://www.mugenseiki.co.jp) (setting sheet)