

Name: E2026  
Date: \_\_\_\_\_  
Track: \_\_\_\_\_

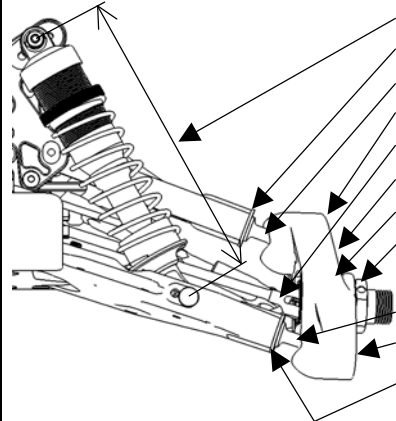
**Track conditions**

Size:  Open  Med.  Tight  
Traction:  High  Med.  Low  
Surface:  Smooth  Med.  Bumpy

**Result**

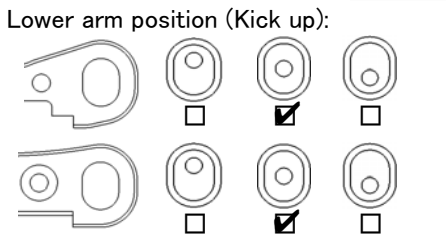
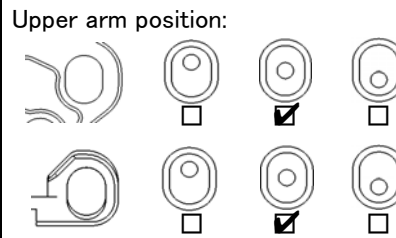
Race time / Lap: \_\_\_\_\_  
Best lap (1Lap): \_\_\_\_\_

**Front suspension**



Rebound stop: 104mm  
Kingpin ball spacer: 1mm  
E0160 E2123(Steel)  
E0159 E2124(Steel)  
E2218 E0220(CVD)  
E2153 E2168(-3)  
E2146 E2147(1.5)  
E0239 E0240(1mm)  
E0241(2mm)  
E0160 E2123(Steel)  
E0159 E2124(Steel)  
Kingpin ball spacer: 1mm

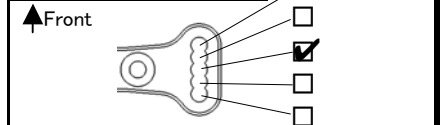
Ride height: 24mm  
Toe angle: out  
Lower arm plate:  
E2144A,B  
E2154(CFRP 1mm)  
E2155(CFRP 1.2mm)  
Anti roll bar: φ 2.3 (E0164)  
Upper arm spacer: 2mm  
Lower arm spacer: 0



**Front shocks**

Piston: E2525 Oil: #550  
Spring: φ 1.6L70-9 (E2517)  
Shock position:  
       
Pivot ball position: Front Rear  
Damper stay: E2562(Aluminum)  
E2565(CFRP)

**Steering ackerman**



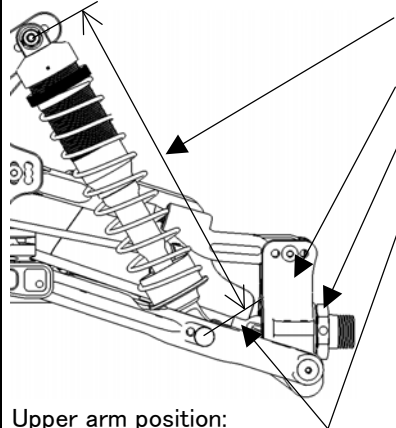
**Front upper plate**

E2148D E2158(CFRP)

**Servo saver arm**

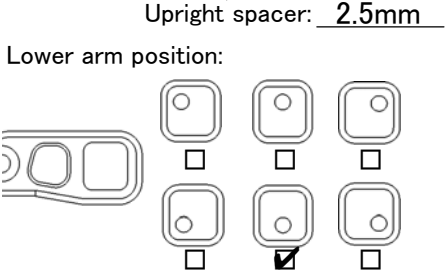
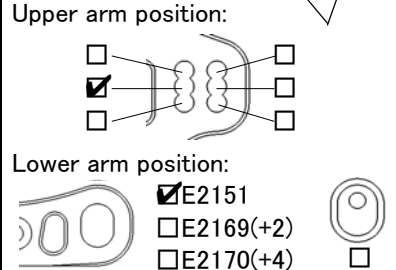
E2301A E2310(Aluminum)

**Rear suspension**



Rebound stop: 117mm  
E2131 E2134(Aluminum)  
E0239 E0240(1mm)  
E0241(2mm)  
E2219 E0220(CVD)

Ride height: 26mm  
Camber angle: -3°  
Lower arm plate:  
E2145A,B  
E2156(CFRP 1mm)  
E2157(CFRP 1.2mm)  
Anti roll bar: φ 2.7 (E0168)  
Lower arm spacer: 0



**Rear shocks**

Piston: E2525 Oil: #550  
Spring: φ 1.6L86-10.5 (E0554)  
Shock position:  
       
Pivot ball position: Front Rear  
Damper stay: E2563(Aluminum)  
E2566(CFRP)

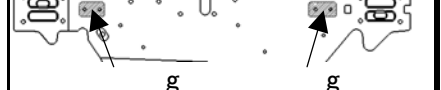
**Center shaft**

E2228,E2229  
E0223,E0259(CVD) E2261,E2262

**Tension rod**

Front: E2107A(Long) E2107B(Short)  
Rear: E2148C E0803(Rubber)

**Weight**



**Power train**

Motor: \_\_\_\_\_  
ESC: \_\_\_\_\_  
Battery: \_\_\_\_\_

**Diff. gear**

Oil  
Front: 44/13T 42/12T #5,000  
Rear: 44/13T 42/12T #2,000  
Center: 44T 46T #5,000

**Tires**

	<b>Front</b>	<b>Rear</b>
Type:	_____	_____
Compound:	_____	_____
Inserts:	_____	_____
Wheel:	_____	_____

**Pinion gear**

12T 13T 14T  
15T 16T 17T  
18T

**Body/Wing**

Body: Kit   
Wing: Kit   
Wing stay: E2422A E2428A(+15)   
Wing position:     
Front

**Comments**

.....  
.....  
.....  
.....