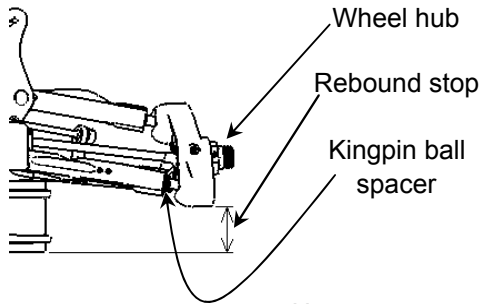


**Name:** \_\_\_\_\_  
**Date:** \_\_\_\_\_  
**Track:** \_\_\_\_\_

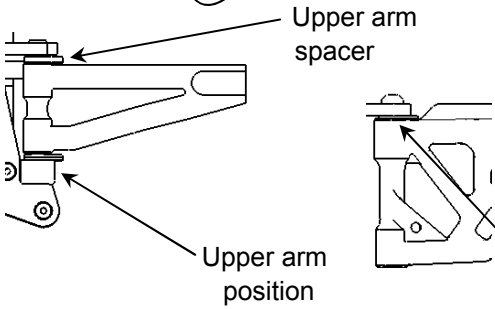
### Track Conditions

Size:  Open  Med.  Tight  
 Traction:  High  Med.  Low  
 Surface:  Smooth  Med.  Bumpy

### Front Suspension



Kingpin ball spacer \_\_\_\_\_ **1** mm  
 Camber angle \_\_\_\_\_ **-1** °  
 Upper arm spacer \_\_\_\_\_ **0** mm  
 Toe angle \_\_\_\_\_ **out 2** °  
 Rebound stop \_\_\_\_\_ **23** mm  
 Anti-roll bar φ **2.3** mm  
 Wheel hub \_\_\_\_\_ **0** mm  
 Lower arm mount (Kick up) \_\_\_\_\_



0  
 1

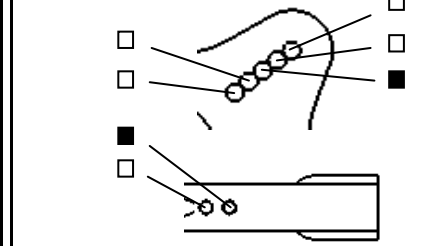
Lower arm plate (E0154A)

Upper arm position(E0148B,E0148C)

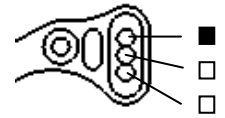
Lower arm spacer \_\_\_\_\_ **0** mm

### Front Shocks

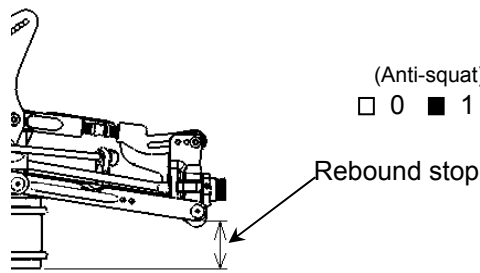
Piston \_\_\_\_\_ **White**  
 Oil # \_\_\_\_\_ **400**  
 Spring \_\_\_\_\_ **L75-9.75**  
 Spring adj. \_\_\_\_\_ **10.5** mm



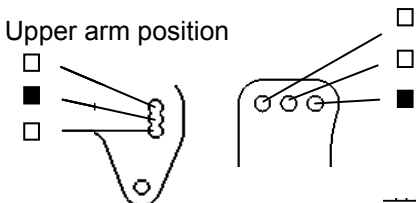
### Steering Ackerman



### Rear Suspension

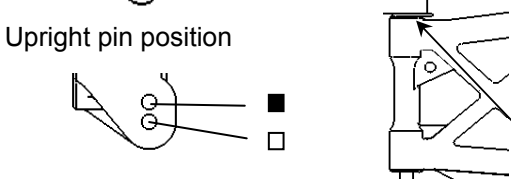


Camber angle \_\_\_\_\_ **-2** °  
 Lower arm mount  E0185 (Aluminium)  
 (Anti-squat)  0  1  
 (Toe angle) \_\_\_\_\_ **3** °  
 Rebound stop \_\_\_\_\_ **25** mm  
 Anti-roll bar φ **2.8** mm  
 Anti-squat (E0111C,E0111D)



Upright  E0152  
 E0173 (Aluminium)

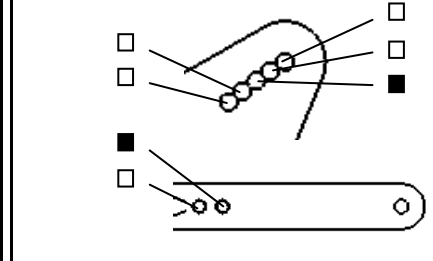
Wheelbase adjustment \_\_\_\_\_ **2.5** mm



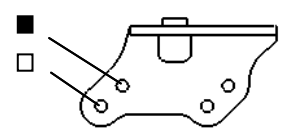
Lower arm spacer \_\_\_\_\_ **1** mm

### Rear Shocks

Piston \_\_\_\_\_ **White**  
 Oil # \_\_\_\_\_ **400**  
 Spring \_\_\_\_\_ **L86-10.75**  
 Spring adj. \_\_\_\_\_ **8.25** mm



### Wing Position



### Power Train

Motor \_\_\_\_\_  
 ESC \_\_\_\_\_  
 Battery \_\_\_\_\_

### Diff. Oil

Front # \_\_\_\_\_ **5000** O-Ring - pcs.  Other \_\_\_\_\_  
 Center # \_\_\_\_\_ **10000** - pcs.  Other \_\_\_\_\_  
 Rear # \_\_\_\_\_ **2000** - pcs.  Other \_\_\_\_\_

### Tire

**Front**  
 Type \_\_\_\_\_  
 Foam \_\_\_\_\_

**Rear**  
 Type \_\_\_\_\_  
 Foam \_\_\_\_\_

### Gearing

Pinion gear \_\_\_\_\_ **14** T  
 Spur gear \_\_\_\_\_ **46** T

### Result

Race time / Lap \_\_\_\_\_  
 Best lap (1Lap) \_\_\_\_\_

### Comments:

.....  
 .....  
 .....  
 .....