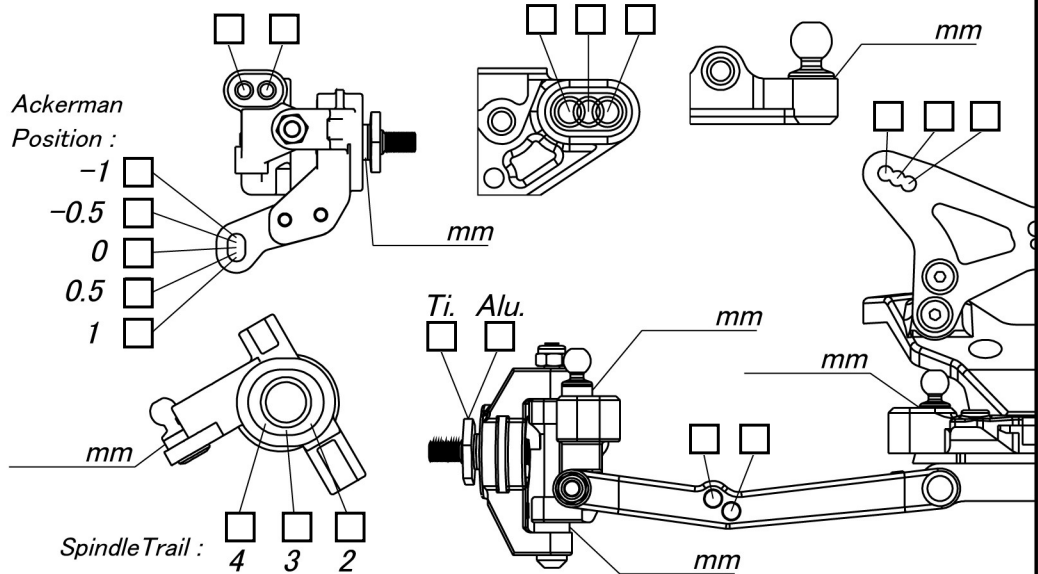


Driver : _____
 Date : _____
 Track : _____
 Event : _____

Track Condition
 Size : Open Mid Tight
 Traction : High Mid Low
 Condition : Smooth Bumpy Dry Wet
 Surface : Carpet Dirt Astroturf

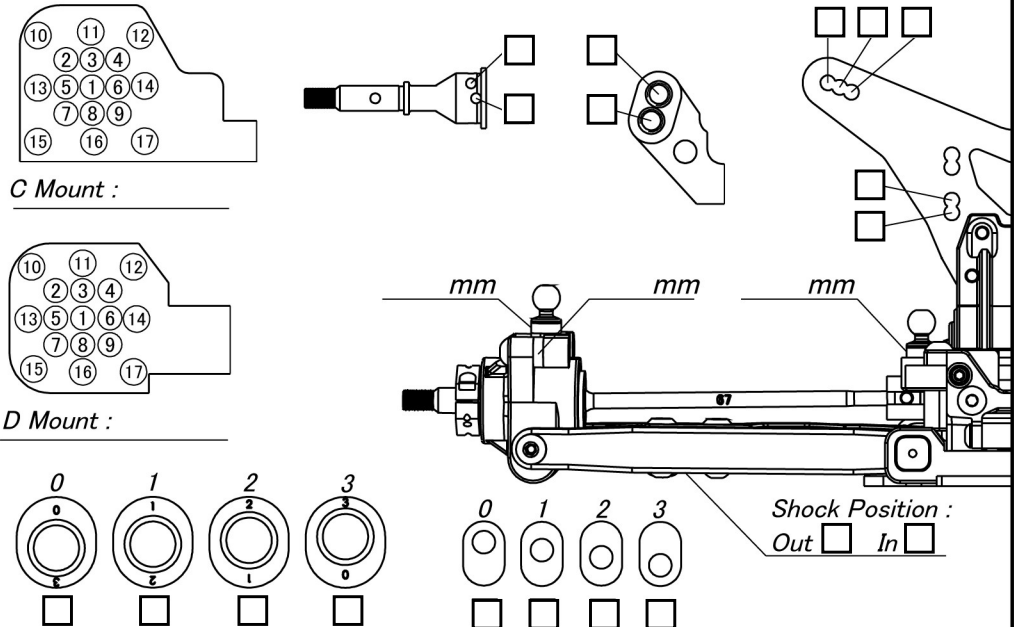
Front Suspension

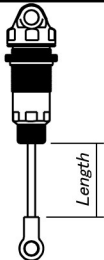
Ride Height : _____
 Camber : _____
 Toe : _____
 Anti-roll Bar : _____
 Front Bulkhead Spacer : _____
 Plastic mm / Brass mm
 Notes : _____

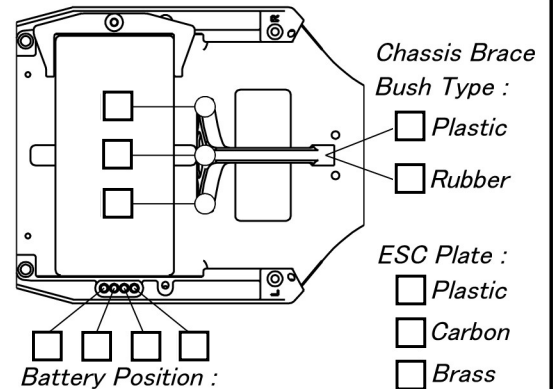


Rear Suspension

Ride Height : _____
 Camber : _____
 Anti-roll Bar : _____
 Arm Position : Fwd Back
 Hub Position : Fwd Mid Back
 Notes : _____



Shocks	Front	Rear
 Piston :		
Oil :		
Spring :		
Length :		
Limiters :	Int : Ext :	Int : Ext :
Eyelet Length :	Std <input type="checkbox"/> +2 <input type="checkbox"/>	Std <input type="checkbox"/> +2 <input type="checkbox"/>
Cup Offset :	Low <input type="checkbox"/> Mid <input type="checkbox"/> High <input type="checkbox"/>	Low <input type="checkbox"/> Mid <input type="checkbox"/> High <input type="checkbox"/>



Electronics	Differential		
Radio :	Gear Diff <input type="checkbox"/>	2 Gear <input type="checkbox"/>	Oil :
Servo :		4 Gear <input type="checkbox"/>	Friction O-ring :
ESC :	Ball Diff <input type="checkbox"/>	Setting :	
Motor :	Tire	Front	Rear
Gearing : /	Type :		
Battery : / g	Compound :		
Weight	Inserts :		
Servo Weight : Yes <input type="checkbox"/> No <input type="checkbox"/>	Wheel :		
Battery Weight : 19g <input type="checkbox"/> 37g <input type="checkbox"/>	Additive :		

Total Weight : _____ g

Body & Wing

Body : _____
 Rear Wing : _____
 Wing Angle : 0° 3° 6°
 Front Wing : _____ Low : High :