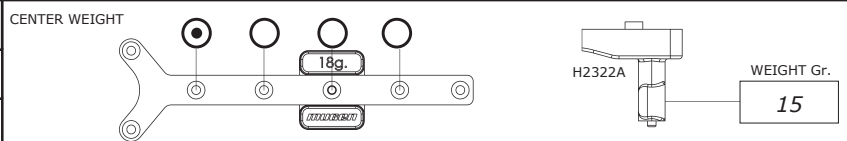
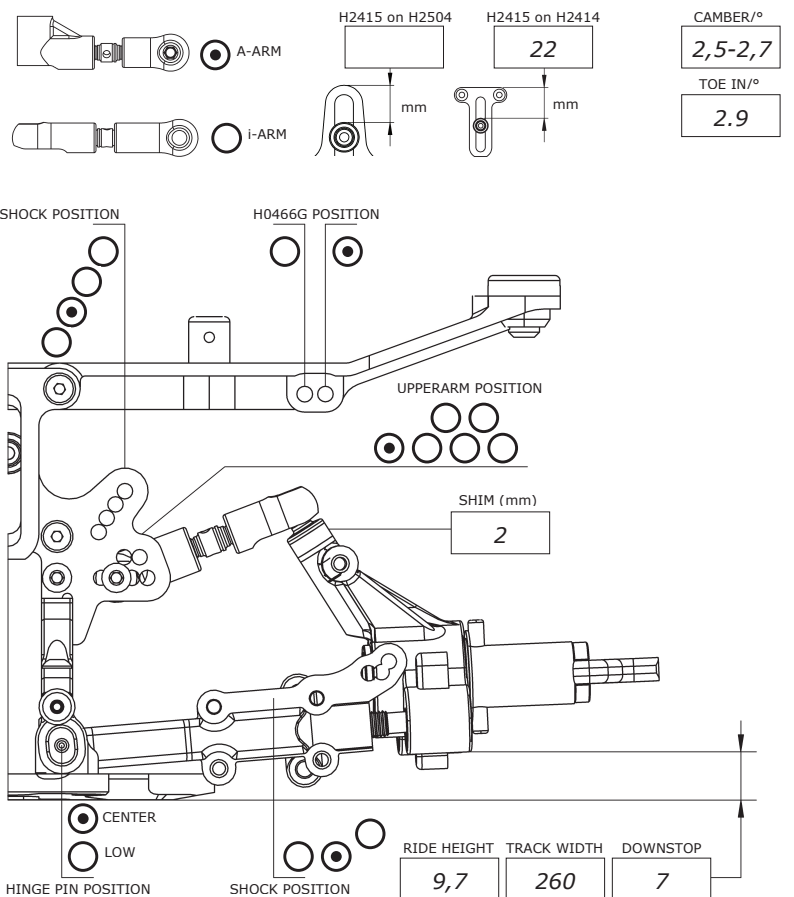
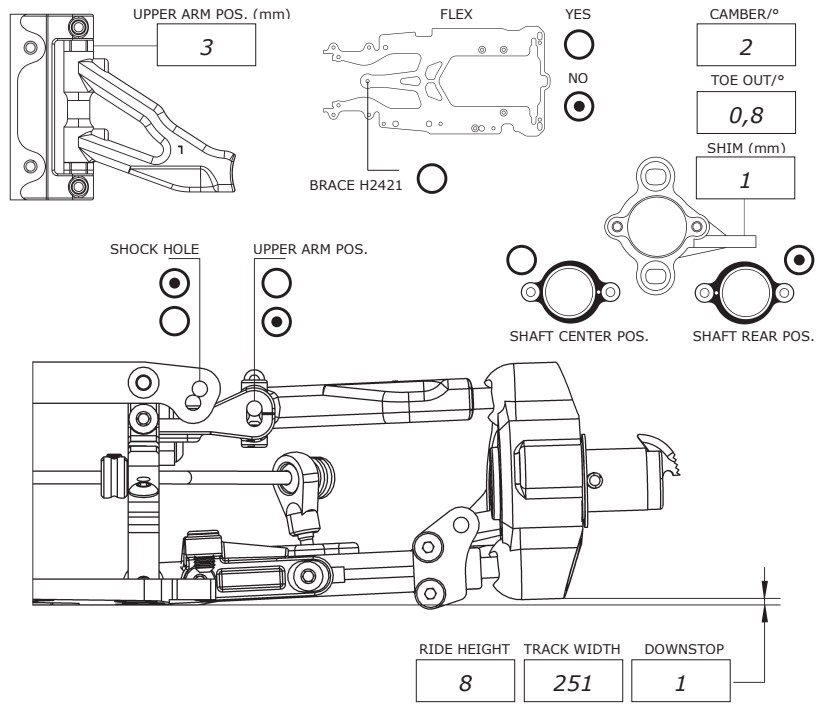


<b>DRIVER</b>	Simon Kurzbuch		
<b>DATE</b>	23.04.2023		
<b>TRACK</b>	Leno (EFRA GP)		
<b>TRACTION</b>	<input type="radio"/> LOW	<input checked="" type="radio"/> MEDIUM	<input type="radio"/> HIGH
<b>LAYOUT</b>	<input type="radio"/> SLOW	<input checked="" type="radio"/> MIXED	<input type="radio"/> FAST
<b>TEMP °C</b>	<b>AIR</b>	20	<b>TRACK</b>
<b>ENGINE</b>			
TYPE	Hasi	MANIFOLD	Hasi PIPE Hasi
<b>TIRES</b>			
<b>BRAND</b>	Matrix		
<b>SHORE</b>	FRONT	32	REAR 35
<b>SIZE (mm)</b>		68	75
<b>TREAT</b>	no		
<b>SHOCK ABSORBERS</b>			
<b>PISTON</b>	FRONT	1.3x1	REAR kit
<b>OIL</b>		700	800
<b>SPRING</b>		1.9-6.5	SMJ5.0
<b>ANTI ROLL BAR FRONT/REAR</b>			
	<input checked="" type="radio"/> 2,2	<input type="radio"/> 2,3	<input type="radio"/> 2,4 <input type="radio"/> 2,5
	<input type="radio"/> 2,8	<input type="radio"/> 2,9	<input checked="" type="radio"/> 3,0
<b>INSERT</b>	<input type="radio"/> 10	<b>ACKERMANN</b>	
<b>T2303N(8)</b>	<input type="radio"/> T2303J(9)	<input checked="" type="radio"/> T2303i(10)	
<b>INSERT</b>	<input type="radio"/> 10	<b>POSITION</b>	
<b>LONG</b>	<input type="radio"/> CENTER	<input checked="" type="radio"/> SHORT <input type="radio"/>	
<b>CLUTCH SETTINGS</b>			
BELL#	SHOE#	SPRING#	
GAP(mm)	PLAY(mm)	PRE TENSION(mm)	
<b>GEAR RATIO</b>			
<b>1<sup>st</sup> SPUR</b>	<b>60T</b>	<b>61T</b>	<b>62T</b>
<b>1<sup>st</sup> PINION</b>	<b>19T</b>	<input type="radio"/> 7,58 <input type="radio"/> 7,71	<input checked="" type="radio"/> 7,83
	<b>20T</b>	<input type="radio"/> 7,20 <input type="radio"/> 7,32	<input type="radio"/> 7,44
<b>2<sup>nd</sup> SPUR</b>	<b>56T</b>	<b>57T</b>	<b>58T</b>
<b>2<sup>nd</sup> PINION</b>	<b>24T</b>	<input type="radio"/> 5,60 <input type="radio"/> 5,70	<input checked="" type="radio"/> 5,80
	<b>25T</b>	<input type="radio"/> 5,38 <input type="radio"/> 5,47	<input type="radio"/> 5,57
<b>AERODYNAMIC SETTINGS</b>			
<b>BODY TYPE</b>	Xtreme Hyper Diablo		
<b>WING POS. (mm)</b>	8		
<b>BODY POSITION TO BUMPER(mm)</b>	precut		



REMARKS

- Offset shims on wheelaxle 0,6mm
- Front wheelbase -2mm
- T2158/T2159 for maximum steering angle
- Carbon rear body mount MH6010a