

DRIVER	Shoki Takahata	
DATE	November 2, 2019	
TRACK	Steel City R/C Speedway WC	

TRACTION

LOW <input type="checkbox"/>	MEDIUM <input type="checkbox"/>	HIGH <input checked="" type="checkbox"/>
------------------------------	---------------------------------	--

LAYOUT

SLOW <input type="checkbox"/>	MIXED <input checked="" type="checkbox"/>	FAST <input type="checkbox"/>
-------------------------------	---	-------------------------------

ENGINE

TYPE	O.S Speed R2104	
GLOW PLUG/FUEL PIPE/MANIFOLD	RP7	VP (Spec)
	O.S-T-2080	

CLUTCH SETTINGS

SHOE#/BELL#	KIT	KIT
CLEARANCE(mm) / AXIALPLAY(mm)	0.6	0.3
SPRING#/ TENSION(mm)	KIT	0.1

TYRES

CONTROLLED

FRONT		BRAND	REAR	
LEFT	RIGHT		LEFT	RIGHT
		HotRace		
		SHORE		
66	66	DIAMETER START	73	73
		DIAMETER 5min		

SHOCK ABSORBERS

FRONT

PISTON	1.1x2	PISTON	1.1x2
OIL	500	OIL	600
SPRING	Mugen Yellow	SPRING	Serpent Blue

ANTI ROLL BAR FRONT

2,2 <input type="checkbox"/>	2,3 <input checked="" type="checkbox"/>	2,4 <input type="checkbox"/>	2,5 <input type="checkbox"/>
------------------------------	---	------------------------------	------------------------------

ANTI ROLL BAR REAR

2,8 <input type="checkbox"/>	2,9 <input type="checkbox"/>	3,0 <input checked="" type="checkbox"/>
------------------------------	------------------------------	---

SERVO SAVER POSITION

FORWARD <input type="checkbox"/>	<input checked="" type="checkbox"/>	REARWARD <input type="checkbox"/>
----------------------------------	-------------------------------------	-----------------------------------

PINION 1st

15T <input type="checkbox"/>	16T <input type="checkbox"/>
------------------------------	------------------------------

PINION 2nd

19T <input type="checkbox"/>	20T <input type="checkbox"/>
------------------------------	------------------------------

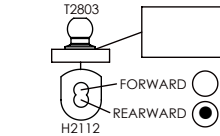
SPUR 1st

48T <input type="checkbox"/>	49T <input type="checkbox"/>	50T <input type="checkbox"/>
------------------------------	------------------------------	------------------------------

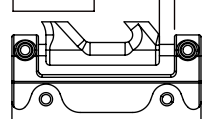
SPUR 2nd

45T <input type="checkbox"/>	46T <input type="checkbox"/>	47T <input type="checkbox"/>
------------------------------	------------------------------	------------------------------

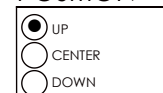
STEERING ROD POSITION



CASTER ANGLE (mm)



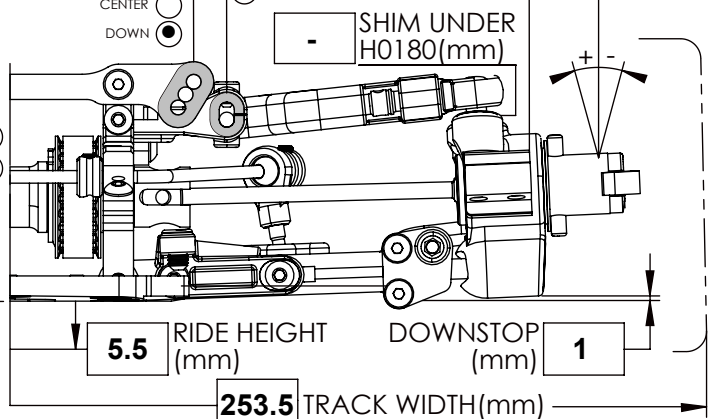
UPPER ARM POSITION



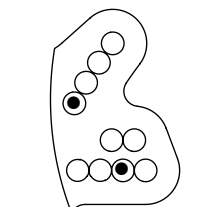
CAMBER	0.5	0.5
	LEFT	RIGHT

YES DISK

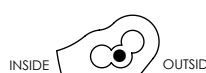
NO DISK



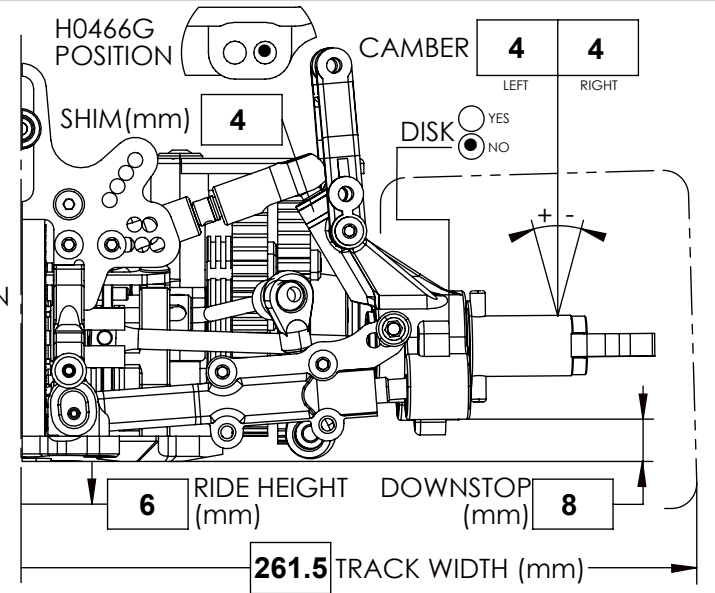
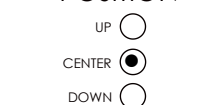
SHOCK/UPPER ROD POSITION



SHOCK POSITION H2159



LOWER ARM POSITION

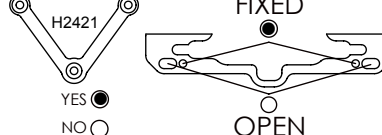


FRONT TOE

LEFT 1.2	RIGHT 1.2
-----------------	------------------



RADIOPLATE FLEX



H2415 MOUNTED ON:

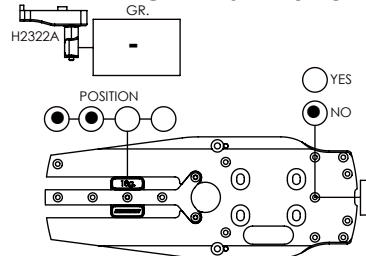


REAR TOE

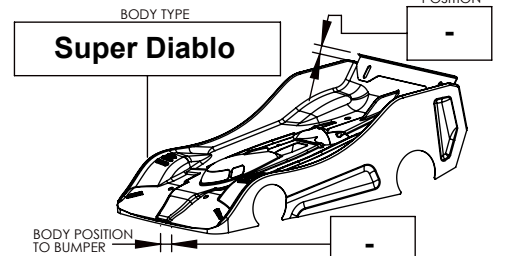
LEFT 2.5	RIGHT 2.5
-----------------	------------------



WEIGHT DISTRIBUTION



AERO/SETTING



NOTES:

Proto-type parts:
 Front: Uprights, Upper arms, Shock plate, Lower damper mounts.
 Rear: Upper Bulkheads, Upper arms, Lower shock mounts.
 Use 0.8M gears: Pinion: 19, 24 / Spur: 61, 57
 Use Brass weight mount.

Use 20g weight on the front bumper.
 Use Yurugix Flex control plate (YPM-1005) instead of H2421.