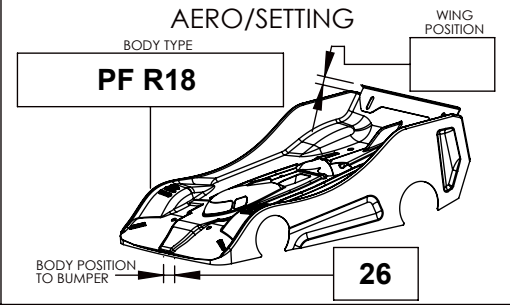
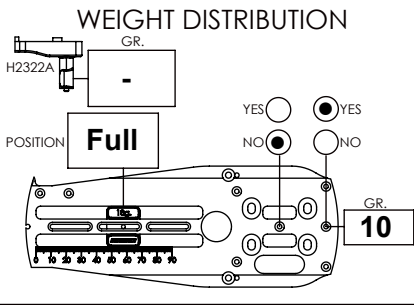
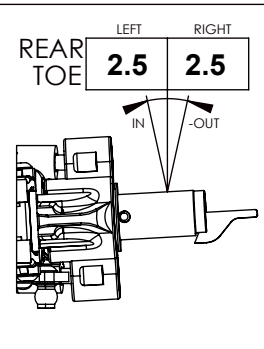
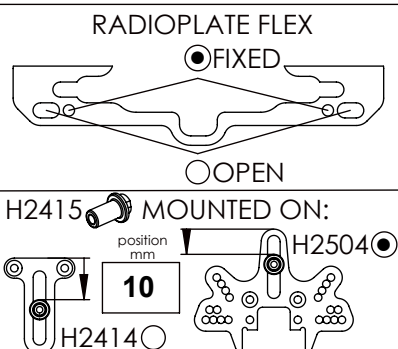
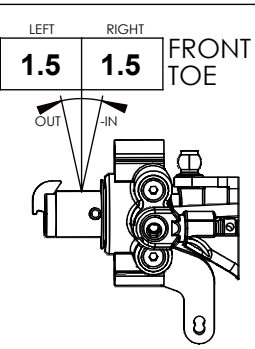
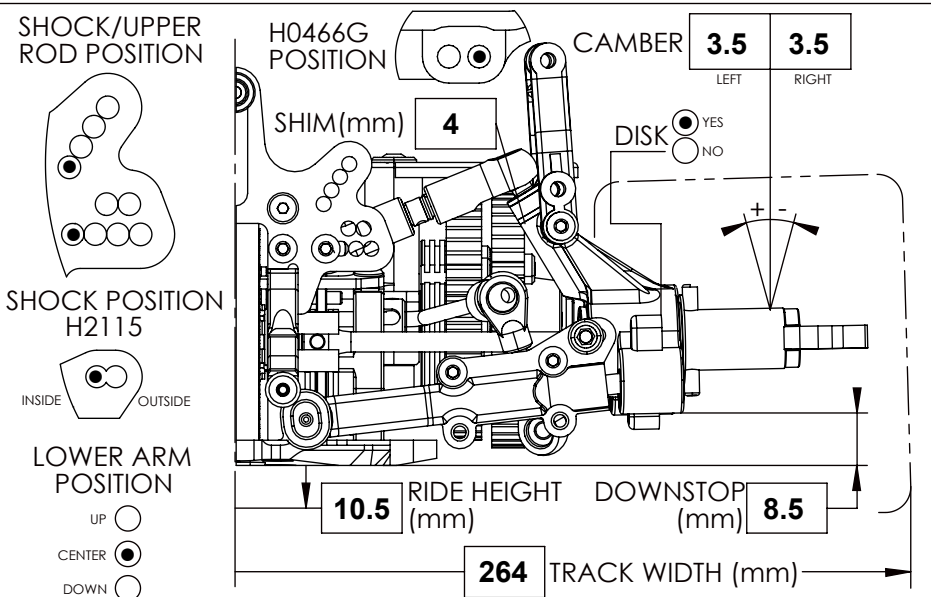
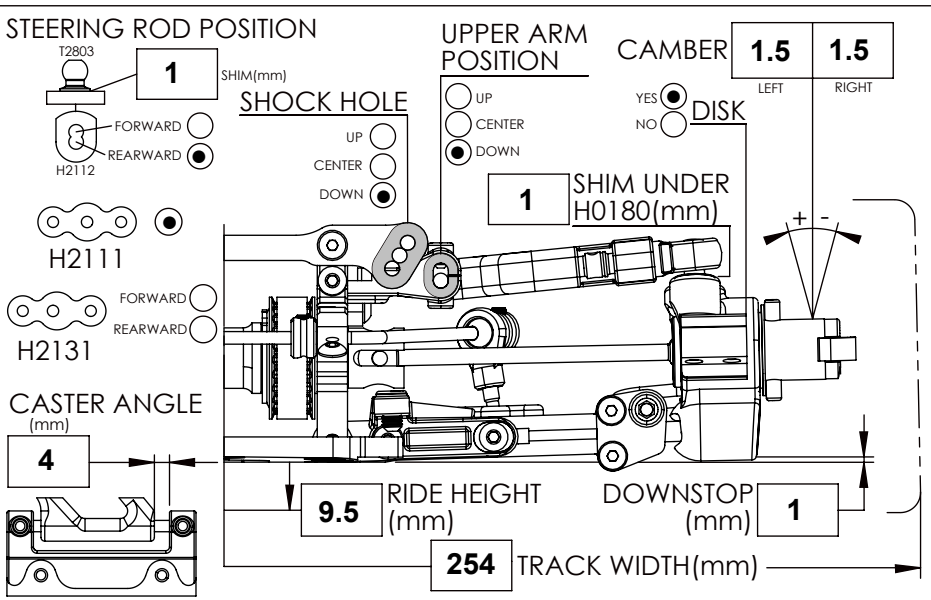


DRIVER	Takaaki Shimo	
DATE	2016/6/26	
TRACK	Taipei Metropolitan Park	
TRACTION		
LOW	MEDIUM <input checked="" type="checkbox"/>	HIGH <input type="checkbox"/>
LAYOUT		
SLOW	MIXED <input checked="" type="checkbox"/>	FAST <input type="checkbox"/>
ENGINE		
TYPE	O.S. Shimo Edition	
GLOW PLUG/FUEL PIPE/MANIFOLD	RP7	O.S
CLUTCH SETTINGS		
SHOE#/BELL#	STD	STD
CLEARANCE(mm)/AXIALPLAY(mm)	0.7	0.1
SPRING#/TENSION(mm)	0.2	
TYRES		
CONTROLLED <input type="checkbox"/>		
FRONT	BRAND	REAR
LEFT	RIGHT	ZAC
30	30	SHORE
71	71	DIAMETER START
		DIAMETER 5min
		35
		77
		77
SHOCK ABSORBERS		
FRONT		REAR
PISTON	1.1x2	PISTON
OIL	600	OIL
SPRING	Purple*	SPRING
		Pink*
ANTI ROLL BAR FRONT		
2,2	2,3 <input checked="" type="checkbox"/>	2,4
		2,5
ANTI ROLL BAR REAR		
2,8	2,9 <input checked="" type="checkbox"/>	3,0
SERVO SAVER POSITION		
FORWARD	REARWARD	
<input type="checkbox"/>	<input checked="" type="checkbox"/>	<input type="checkbox"/>
PINION 1st		
15T <input checked="" type="checkbox"/>	16T <input type="checkbox"/>	
PINION 2nd		
19T <input type="checkbox"/>	20T <input checked="" type="checkbox"/>	
SPUR 1st		
48T <input checked="" type="checkbox"/>	49T <input type="checkbox"/>	50T <input type="checkbox"/>
SPUR 2nd		
45T <input type="checkbox"/>	46T <input type="checkbox"/>	47T <input checked="" type="checkbox"/>



NOTES:

**2016 Mugen On-Road Cup in Taiwan**

\*Setup is with additive on tires!

\*Use Serpent shock springs.