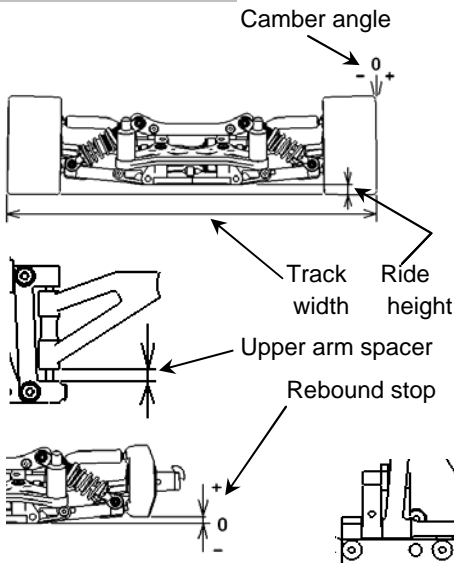


Name: Francesco Tironi
Date: 2009/6/28
Track: Lostallo

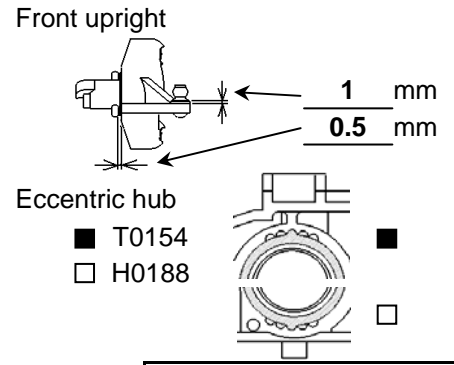
Track Conditions

Size: Open Med. Tight
 Traction: High Med. Low
 Surface: Smooth Med. Bumpy

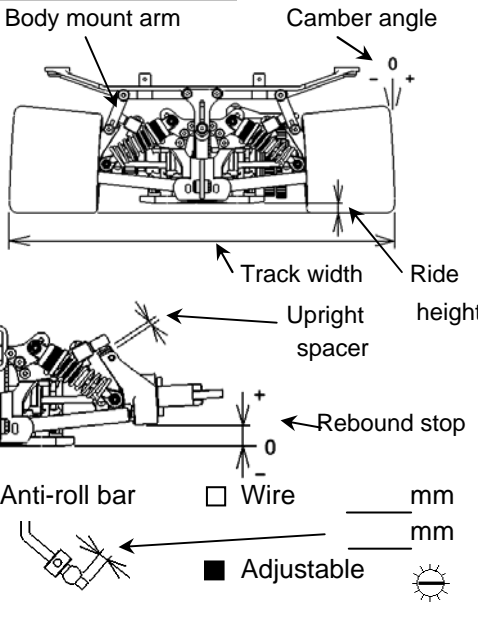
Front suspension



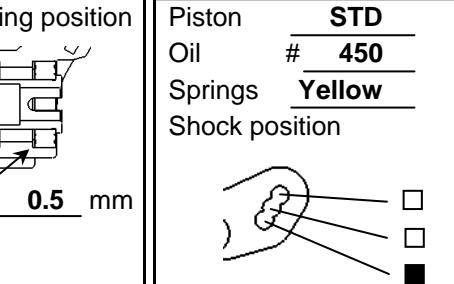
Track width 251 mm
 Ride height 7.0 mm
 Camber angle 1.5 °
 Upper arm spacer 1 mm
 Toe angle 1 °
 Rebound stop 2 mm
 Bump stop None Use
 Lower arm spacer 2 mm
 Upper arm position 2 mm
 Anti-roll bar



Rear suspension



Track width 262 mm
 Ride height 8.5 mm
 Camber angle 2 °
 Toe angle 3 °
 Rebound stop 8 mm
 Bump stop None Use
 Lower arm position(H0134)
 4.5mm 5mm 5.5mm
 Upright spacer 3 mm
 Upper arm position
 Eccentric hub
 T0154
 H0188
 Body mount arm
 H0466C(Short)
 H0466F(Long)



Steering ackerman

A
 B
 C
 D

Front shock

Piston STD
 Oil # 450
 Springs Yellow
 Shock position

Rear shock

Piston STD
 Oil # 600
 Springs Grey
 Shock position

Engine Type _____ Muffler _____
 Gasket _____ mm Manifold _____
 Plug _____ Fuel _____

Clutch

Clutch shoe Yellow Gray Red
 Centrifugal shoe _____
 Spring _____
 Clutch bell clearance _____ mm
 Spring adj. nut position _____ mm

Tire <Front> <Rear>

Type Matrix 32 Type Matrix 35
 Dia.(start) L 70 /R 69 Dia.(start) L 77 /R 76
 Dia.(finish) L /R Dia.(finish) L /R

Brake pad Black Yellow

Body Type Fiorano
 Body position 8 mm
 Rear spoiler 11 mm

Drive ratio

Gear ratio Side pulley
 1st. 16/50 25T
 2nd. 20/47 26T

Result

Race time / Lap _____
 Best lap (1Lap) _____

Comments:

.....

