

Name: Robert Batlle
 Date: 6/2019
 Track: Gussago Bitty Euro Contest

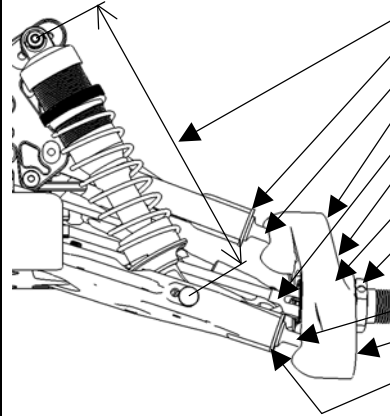
Track conditions

Size: Open Med. Tight
 Traction: High Med. Low
 Surface: Smooth Med. Bumpy

Result

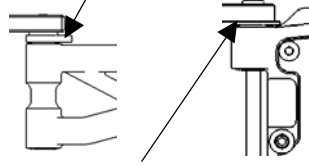
Race time / Lap: _____
 Best lap (1Lap): _____

Front suspension



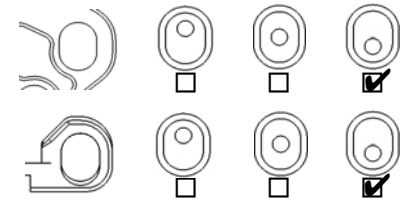
Rebound stop: 104mm
 Kingpin ball spacer: 2mm
E0160 E2123(Steel)
E0159 E2124(Steel)
E2218 E0220(CVD)
E2153 E2168(-3)
E2146 E2147(1.5)
E0239 E0240(1mm)
E0241(2mm)
E0160 E2123(Steel)
E0159 E2124(Steel)
 Kingpin ball spacer: 1mm

Ride height: 23mm
 Toe angle: 29.5mm
 Lower arm plate:
E2144A,B
E2154(CFRP 1mm)
E2155(CFRP 1.2mm)
 Anti roll bar: φ 2.3 (E0164)
 Upper arm spacer: 2mm

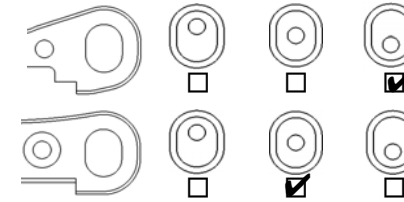


Lower arm spacer: 1

Upper arm position:



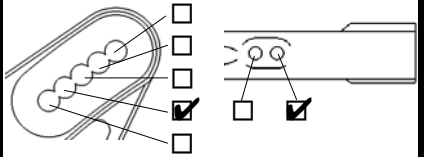
Lower arm position (Kick up):



Front shocks

Piston: 8x1.2 Oil: #550
 Spring: φ 1.6L70-9.25 (E2516)

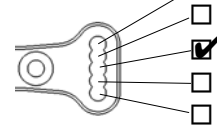
Shock position:



Pivot ball position: Front Rear
 Damper stay: E2562(Aluminum)
E2565(CFRP)

Steering ackerman

↑Front



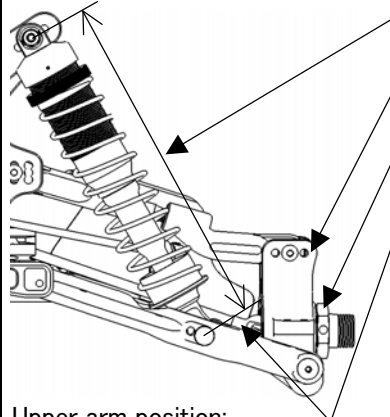
Front upper plate

E2148D E2158(CFRP)

Servo saver arm

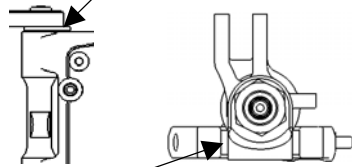
E2301A E2310(Aluminum)

Rear suspension



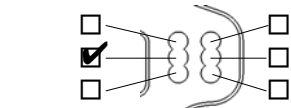
Rebound stop: 118mm
E2131 E2134(Aluminum)
E0239 E0240(1mm)
E0241(2mm)
E2219 E0220(CVD)

Ride height: 27mm
 Camber angle: 20.5mm
 Lower arm plate:
E2145A,B
E2156(CFRP 1mm)
E2157(CFRP 1.2mm)
 Anti roll bar: φ 2.7 (E0168)
 Lower arm spacer: 0

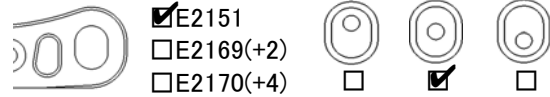


Upright spacer: 2mm

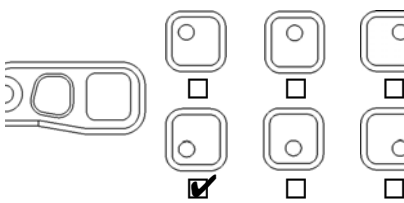
Upper arm position:



Lower arm position:



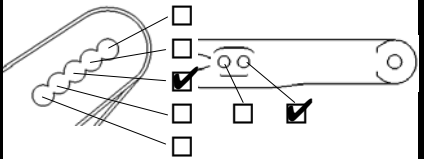
Lower arm position:



Rear shocks

Piston: 8x1.3 Oil: #600
 Spring: φ 1.6L86-10.75 (E0563)

Shock position:



Pivot ball position: Front Rear
 Damper stay: E2563(Aluminum)
E2566(CFRP)

Center shaft

E2228,E2229
E0223,E0259(CVD) E2261,E2262

Tension rod

Front: E2107A(Long) E2107B(Short)
 Rear: E2148C E0803(Rubber)

Weight



Engine

Type: MAXIMA B2 Plug: _____ Reducer: _____
 Muffler: MSE 2160 Fuel: MAXIMA Gasket: _____
 Engine mount: E0701(Standard) E2713(One piece)

Diff. gear

Oil
 Front: 44/13T 42/12T #15,000
 Rear: 44/13T 42/12T #4,000
 Center: 44T 45T 46T #7,000
47T 48T

Tires

	Front	Rear
Type:	<u>HOT RACE MIAMI</u>	<u>HOT RACE MIAMI</u>
Compound:	<u>MEDIUM</u>	<u>MEDIUM</u>
Inserts:	_____	_____
Wheel:	_____	_____

Clutch

Clutch bell: 13T 14T

	φ 0.9	φ 0.95	φ 1.0	φ 1.05	φ 1.1
A	<input checked="" type="checkbox"/> C0754	<input type="checkbox"/> E0704	<input type="checkbox"/> E0710	<input checked="" type="checkbox"/>	<input type="checkbox"/>
B	<input checked="" type="checkbox"/> C0754	<input type="checkbox"/> E0704	<input type="checkbox"/> E0710	<input checked="" type="checkbox"/>	<input type="checkbox"/>
C	<input checked="" type="checkbox"/> C0754	<input type="checkbox"/> E0704	<input type="checkbox"/> E0710	<input checked="" type="checkbox"/>	<input type="checkbox"/>

Body/Wing

Body: Bitty
 Wing: HB
 Wing stay: E2422A E2428A(+15)
 Wing position:

Comments

.....

