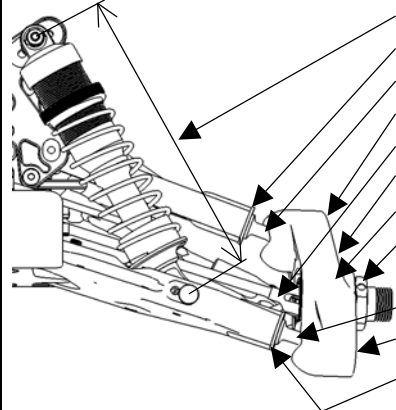


Name: Shin Adachi
Date: FEMCA 2019
Track: Gim-Po City, Korea

Track conditions
 Size: Open Med. Tight
 Traction: High Med. Low
 Surface: Smooth Med. Bumpy

Result
 Race time / Lap: _____
 Best lap (1Lap): _____

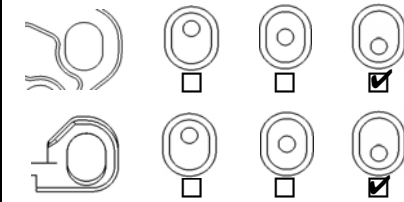
Front suspension



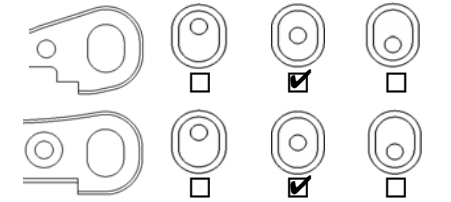
Rebound stop: 105mm
 Kingpin ball spacer: 1.5mm
 E0160 E2123(Steel)
 E0159 E2124(Steel)
 E2218 E0220(CVD)
 E2153 E2168(-3)
 E2146 E2147(1.5)
 E0239 E0240(1mm)
 E0160 E2123(Steel)
 E0159 E2124(Steel)
 Kingpin ball spacer: 1mm

Ride height: 22mm
 Toe angle: -2
 Lower arm plate:
 E2144A,B
 E2154(CFRP 1mm)
 E2155(CFRP 1.2mm)
 Anti roll bar: φ2.4
 Upper arm spacer: 2

Upper arm position:



Lower arm position (Kick up):

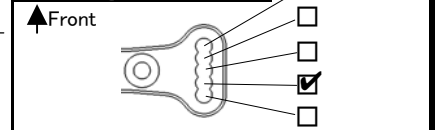


Front shocks

Piston: 1.2x8 Oil: #550
 Spring: 9.0
 Shock position:

 Pivot ball position: Front Rear
 Damper stay: E2562(Aluminum)
 E2565(CFRP)

Steering ackerman



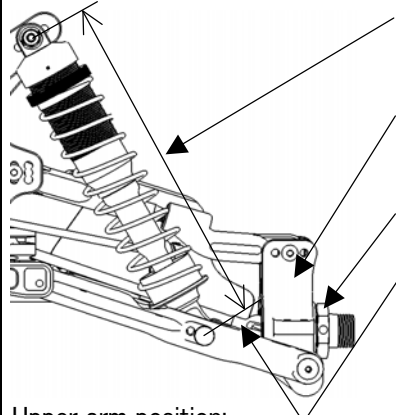
Front upper plate

E2148D E2158(CFRP)

Servo saver arm

E2301A E2310(Aluminum)

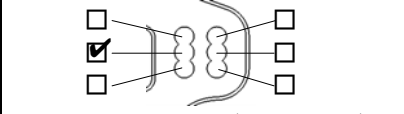
Rear suspension



Rebound stop: 120mm
 E2131
 E2134(Aluminum)
 E0239 E0240(1mm)
 E2219 E0220(CVD)
 E0241(2mm)

Ride height: 29mm
 Camber angle: -3
 Lower arm plate:
 E2145A,B
 E2156(CFRP 1mm)
 E2157(CFRP 1.2mm)
 Anti roll bar: φ2.7
 Lower arm spacer: 1mm

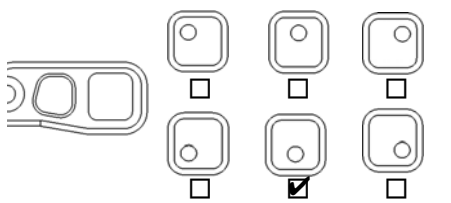
Upper arm position:



Lower arm position (Anti-squat):



Lower arm position (Toe angle):



Rear shocks

Piston: 1.3x8 Oil: #550
 Spring: 10.5
 Shock position:

 Pivot ball position: Front Rear
 Damper stay: E2563(Aluminum)
 E2566(CFRP)

Center shaft

E2228,E2229
 E0223,E0259(CVD) E2261,E2262

Tension rod

Front: E2107A(Long) E2107B(Short)
 Rear: E2148C E0803(Rubber)

Weight



Engine

Type: O.S. B2103 Plug: P3 Reducer: 5.8mm
 Muffler: 2090 Fuel: VP Gasket: +0.1
 Engine mount: E0701(Standard) E2713(One Piece)

Diff. gear

Oil
 Front: 44/13T 42/12T #10,000
 Rear: 44/13T 42/12T #5,000
 Center: 44T 46T #10,000
 47T 48T

Tires

	Front	Rear
Type:	JC Detox	JC Detox
Compound:	O2	O2
Inserts:	JC	JC
Wheel:	JC	JC

Clutch

	Clutch bell:	Oil				
		φ0.9	φ0.95	φ1.0	φ1.05	φ1.1
A	<input type="checkbox"/> C0754 <input type="checkbox"/> E0704 <input type="checkbox"/> E0710			<input checked="" type="checkbox"/>		
B	<input type="checkbox"/> C0754 <input checked="" type="checkbox"/> E0704 <input type="checkbox"/> E0710			<input checked="" type="checkbox"/>		
C	<input type="checkbox"/> C0754 <input checked="" type="checkbox"/> E0704 <input type="checkbox"/> E0710				<input checked="" type="checkbox"/>	

Body/Wing

Body: JC Silencer LW
 Wing: HB
 Wing stay: E2422A E2428A(+15)
 Wing position:

Comments

+4 C plate
 1xcarbon clutch shoe, 2xE0704 aluminum clutch shoe 1x1.05 spring