

Name: Robert Batlle
 Date: DNC 2019
 Track: Southern California Fairgrounds

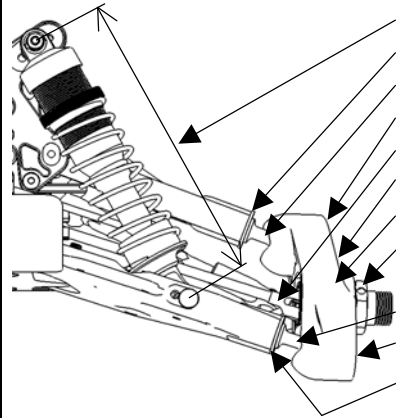
Track conditions

Size: Open Med. Tight
 Traction: High Med. Low
 Surface: Smooth Med. Bumpy

Result

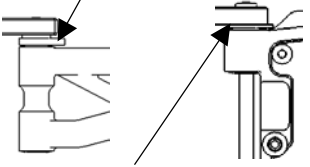
Race time / Lap: _____
 Best lap (1Lap): _____

Front suspension

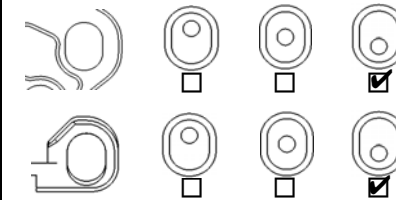


Rebound stop: 105mm
 Kingpin ball spacer: 2mm
E0160 E2123(Steel)
E0159 E2124(Steel)
E2218 E0220(CVD)
E2153 E2168(-3)
E2146 E2147(1.5)
E0239 E0240(1mm)
E0160 E2123(Steel)
E0159 E2124(Steel)
 Kingpin ball spacer: 1mm

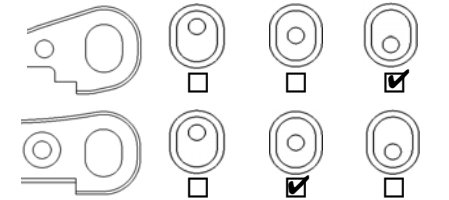
Ride height: 24mm
 Toe angle: 29mm
 Lower arm plate:
E2144A,B
E2154(CFRP 1mm)
E2155(CFRP 1.2mm)
 Anti roll bar: ϕ 2.3
 Upper arm spacer: Middle



Upper arm position:



Lower arm position (Kick up):

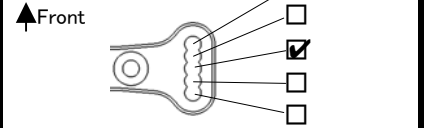


Front shocks

Piston: 8x1.2 Oil: #450
 Spring: 9.25
 Shock position:

 Pivot ball position: Front Rear
 Damper stay: E2562(Aluminum)
E2565(CFRP)

Steering ackerman



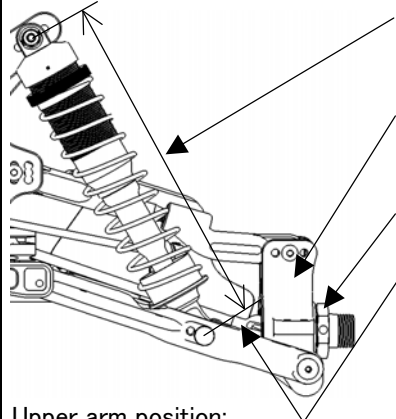
Front upper plate

E2148D E2158(CFRP)

Servo saver arm

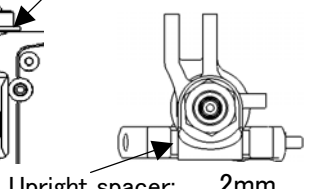
E2301A E2310(Aluminum)

Rear suspension

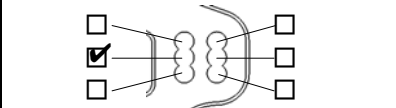


Rebound stop: 121mm
E2131
E2134(Aluminum)
E0239 E0240(1mm)
E2219 E0220(CVD)
E0241(2mm)

Ride height: 28mm
 Camber angle: 19mm
 Lower arm plate:
E2145A,B
E2156(CFRP 1mm)
E2157(CFRP 1.2mm)
 Anti roll bar: ϕ 2.7
 Lower arm spacer: 1mm



Upper arm position:



Lower arm position (Anti-squat):



Rear shocks

Piston: 8x1.3 Oil: #500
 Spring: 10.5
 Shock position:

 Pivot ball position: Front Rear
 Damper stay: E2563(Aluminum)
E2566(CFRP)

Center shaft

E2228,E2229
E0223,E0259(CVD) E2261,E2262

Tension rod

Front: E2107A(Long) E2107B(Short)
 Rear: E2148C E0803(Rubber)

Weight



Engine

Type: MAXIMA B2 Plug: P3 Reducer: 6.0mm
 Muffler: 2089 Fuel: MAXIMA 25% Gasket:
 Engine mount: E0701(Standard) E2713(One Piece)

Diff. gear

Oil
 Front: 44/13T 42/12T #10,000
 Rear: 44/13T 42/12T #5,000
 Center: 44T 46T #7,000
47T 48T

Tires

	Front	Rear
Type:	HotRace Amazonia	HotRace Amazonia
Compound:	Soft	Soft
Inserts:	Standard	Standard
Wheel:	Standard	Standard

Clutch

Clutch bell: 13T 14T

	ϕ 0.9	ϕ 0.95	ϕ 1.0	ϕ 1.05	ϕ 1.1
A	<input type="checkbox"/> C0754 <input type="checkbox"/> E0704 <input checked="" type="checkbox"/> E0710		<input checked="" type="checkbox"/>		
B	<input type="checkbox"/> C0754 <input type="checkbox"/> E0704 <input checked="" type="checkbox"/> E0710		<input checked="" type="checkbox"/>		
C	<input type="checkbox"/> C0754 <input type="checkbox"/> E0704 <input checked="" type="checkbox"/> E0710		<input checked="" type="checkbox"/>		

Body/Wing

Body: Mugen
 Wing: HB
 Wing stay: E2422A E2428A(+15)
 Wing position:

Comments

FastRace Shock Caps